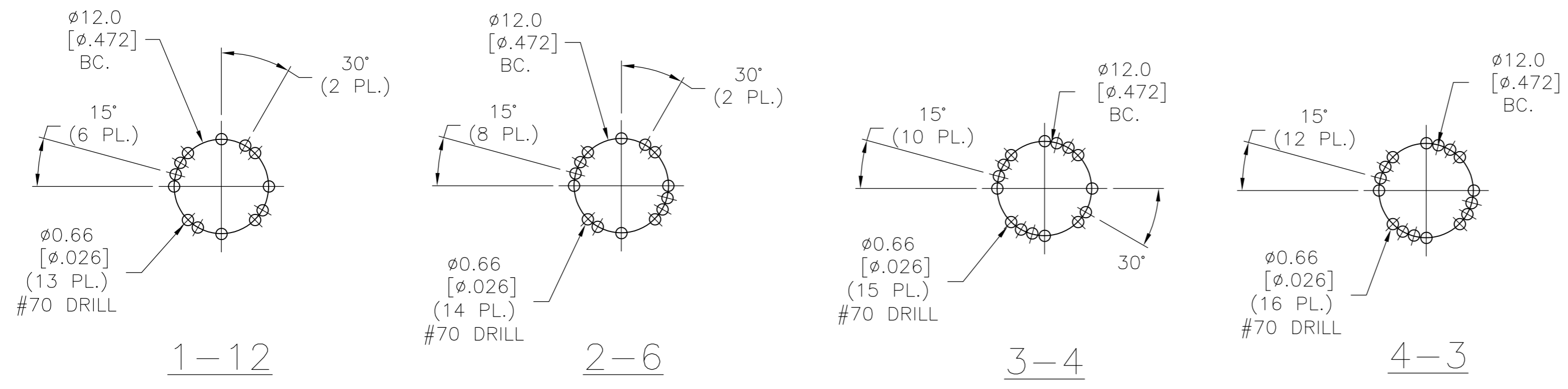
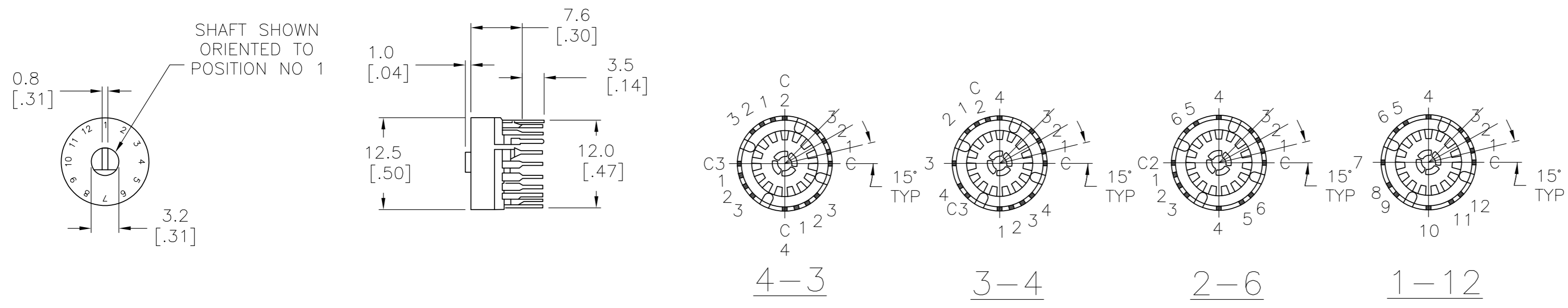


THIS DRAWING IS UNPUBLISHED. RELEASED FOR PUBLICATION  
 © COPYRIGHT - By - ALL RIGHTS RESERVED.

| LOC |     | DIST        |                           | REVISIONS |         |      |     |
|-----|-----|-------------|---------------------------|-----------|---------|------|-----|
| P   | LTR | DESCRIPTION |                           | DATE      | DWN     | APVD |     |
| AD  | 0   | A2          | REVISED PER ECO-11-004917 |           | 11MAR11 | RK   | HMR |



- NOTES:
1. TERMINAL NUMBERS ARE FOR REFERENCE ONLY AND DO NOT APPEAR ON SWITCHES.
  2. ALL MATERIALS AND FINISHES SHALL COMPLY WITH EU DIRECTIVE 2002/95/EC OF 27JAN2003 (ROHS).

| SPECIFICATIONS                  |                                      |
|---------------------------------|--------------------------------------|
| RATING                          | .4VA MAX. @ 20VDC, OR PEAK AC        |
| TIMING                          | BREAK BEFORE MAKE                    |
| INITIAL CONTACT RESISTANCE      | 30 MILLIOHMS MAX                     |
| INSULATION RESISTANCE           | 10,000 MEGOHMS MIN                   |
| DIELECTRIC WITHSTANDING VOLTAGE | 1,000 VRMS AT SEA LEVEL              |
| DURABILITY                      | 10,000 CYCLES @ .4VA RESISTIVE       |
|                                 | 30,000 CYCLES @ .1µA 12VDC RESISTIVE |
| OPERATING FORCE                 | 14 INCH OUNCES                       |
| OPERATING TEMPERATURE           | -20°C TO +70°C                       |
| STORAGE TEMPERATURE             | -20°C TO +70°C                       |

| MATERIALS        |               |                  |
|------------------|---------------|------------------|
| COMPONENT NAME   | BASE MATERIAL | FINISH           |
| BASE             | EPOXY         |                  |
| FIXED CONTACT    | BRASS         | GOLD OVER NICKEL |
| MOVEABLE CONTACT | COPPER ALLOY  | GOLD OVER NICKEL |
| TERMINALS        | BRASS         | TIN OVER NICKEL  |

| POSITIONS               | POLES | ALCO P/N | P/N       |
|-------------------------|-------|----------|-----------|
| 3 FIXED.                | 4     | MRJB304  | 1825536-4 |
| 4 FIXED.                | 3     | MRJB404  | 1825536-3 |
| 6 FIXED.                | 2     | MRJB604  | 1825536-2 |
| 12 CONTINUOUS ROTATION. | 1     | MRJB1204 | 1825536-1 |

|   |                    |              |         |  |
|---|--------------------|--------------|---------|--|
| THIS DRAWING IS A CONTROLLED DOCUMENT.                                      |                    | DWN          | 100CT79 | <br>TE Connectivity                        |
| DIMENSIONS: mm [INCHES]   |                    | CHK          | 100CT79 |  |
| TOLERANCES UNLESS OTHERWISE SPECIFIED:                                      |                    | APVD         | -       |  |
| 0 PLC ± -<br>1 PLC ± -<br>2 PLC ± -<br>3 PLC ± -<br>4 PLC ± -<br>ANGLES ± - |                    | PRODUCT SPEC | -       |  |
| MATERIAL  | FINISH             | WEIGHT       | -       | NAME                                       |
| SEE SPECIFICATIONS  | SEE SPECIFICATIONS | SCALE        | 2:1     | ROTARY SWITCH<br>12 POSITION-30DEG DETENT. |
| CUSTOMER DRAWING  |                    | SIZE         | A2      | CAGE CODE                                  |
|   |                    | DRAWING NO   | 00779   | RESTRICTED TO                              |
|   |                    | SCALE        | 2:1     | SHEET                                      |
|   |                    | SHEET        | 1 OF 1  | REV  |
|   |                    | REV          | A2      |  |