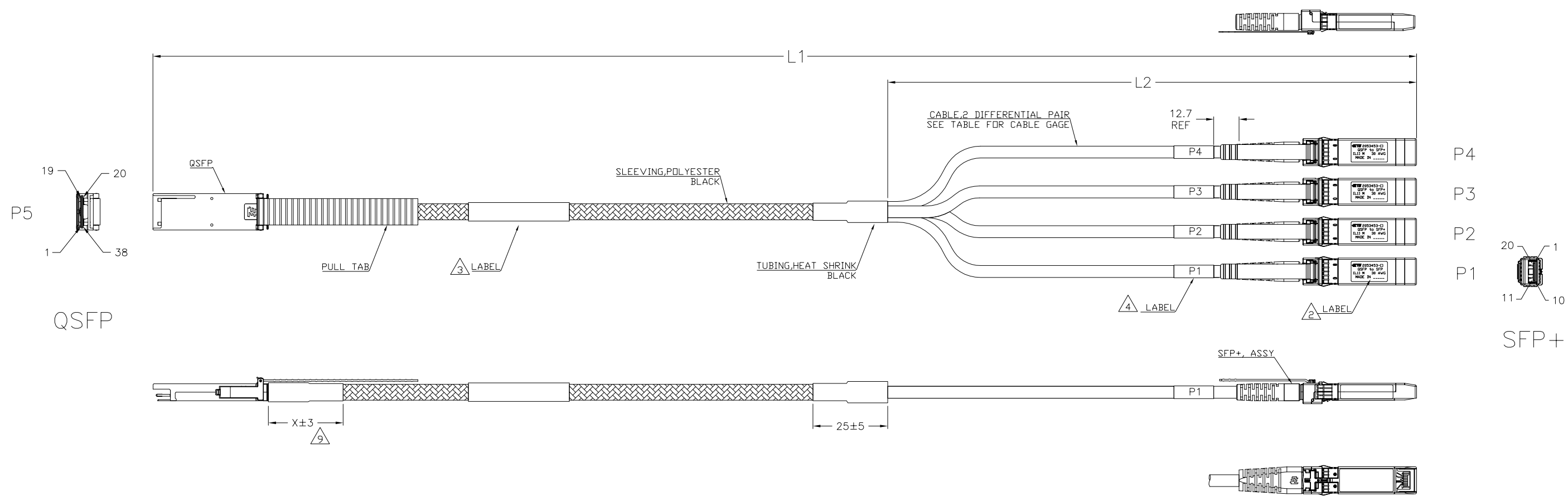


REVISIONS					
#	LT#	DESCRIPTION	DATE	OWN	APPD
J		REVISED PER ECO-16-013833	21SEP2016	MY	KS



- CHARACTERISTIC IMPEDANCE: 100±10 OHMS (MEASURED DIFFERENTIALLY)
- LABEL INFORMATION:
 

	TE P/N
2053453-[]	TE P/N
QSF to SFP+	YYWW= DATECODE, SSSS= SERIAL NUMBER
YYWWSSSS	BARCODE FOR DATECODE/SERIAL NUMBER
- LABEL INFORMATION:
 

	TE LOGO
2053453-[]	TE P/N
YYWWSSSS	YYWW= DATECODE, SSSS= SERIAL NUMBER
	BARCODE FOR DATECODE/SERIAL NUMBER
MADE IN _____	COUNTRY OF ORIGIN
- LABEL INFORMATION:
 

P[ ]	APPROPRIATE "P" NUMBER
SFP+	
- CABLE ASSEMBLY TO BE TESTED FOR CONTINUITY, OPENS, SHORTS AND PROPER EEPROM PROGRAM.
- SEE SHEET 2 FOR WIRING DIAGRAM.
- PRODUCT AND PROCESSING MEETS THE REQUIREMENTS OF TE STANDARD TEC-138-702.
- SERIAL NUMBER BEGINS WITH 0001 AT THE BEGINNING OF EACH WEEK.
- SEE TABLE FOR HEAT SHRINK TUBE LENGTH.

35	26 AWG	1000±25	4000 <sup>+80</sup> <sub>-0</sub>	1-2053453-3	
35	26 AWG	1000±25	3500 <sup>+80</sup> <sub>-0</sub>	1-2053453-2	
35	26 AWG	1000±25	3000 <sup>+80</sup> <sub>-0</sub>	1-2053453-1	
35	26 AWG	1000±25	4500 <sup>+80</sup> <sub>-0</sub>	1-2053453-0	
50	30 AWG	1000±25	1500 <sup>+50</sup> <sub>-0</sub>	2053453-8	
50	30 AWG	1000±25	2500 <sup>+80</sup> <sub>-0</sub>	2053453-7	
35	26 AWG	1000±25	5000 <sup>+80</sup> <sub>-0</sub>	2053453-6	
50	28 AWG	1000±25	4000 <sup>+80</sup> <sub>-0</sub>	2053453-5	
50	30 AWG	1000±25	3000 <sup>+80</sup> <sub>-0</sub>	2053453-4	
50	30 AWG	1000±25	2000 <sup>+80</sup> <sub>-0</sub>	2053453-3	
50	30 AWG	500±25	1000 <sup>+50</sup> <sub>-0</sub>	2053453-2	
50	30 AWG	250±25	500 <sup>+50</sup> <sub>-0</sub>	2053453-1	
9	"X"	CABLE GAGE	L2	L1	PART NO

THIS DRAWING IS A CONTROLLED DOCUMENT.

DMN	B DU	31OCT2008
CHK	J ELLISON	31OCT2008
APPD	J ELLISON	31OCT2008

TE Connectivity

NAME: CABLE ASSEMBLY, QSFP to [4] SFP+

APPLICATION SPEC: -

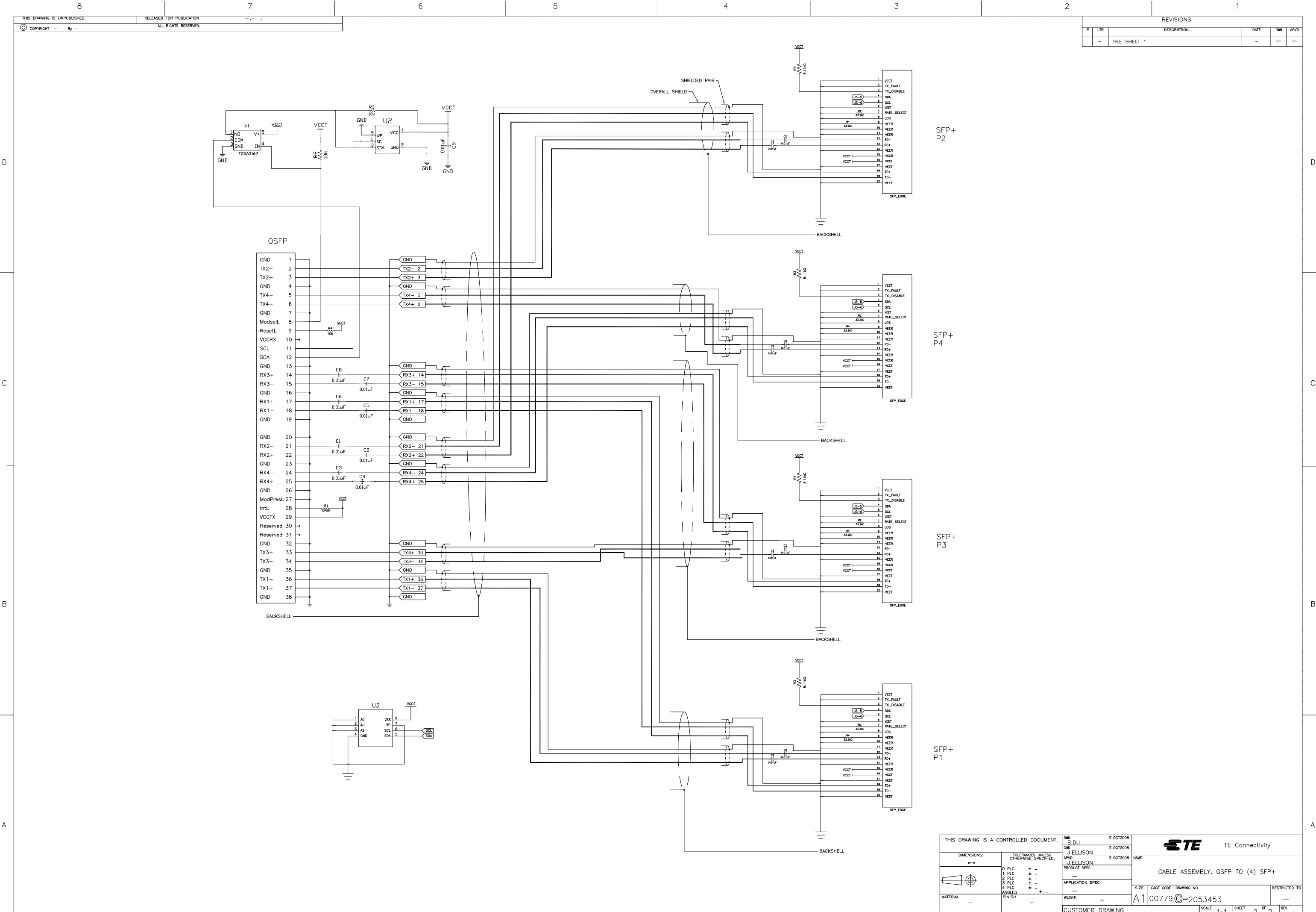
SIZE: A1 CAGE CODE: 00779 DRAWING NO: 2053453

RESTRICTED TO: -

MATERIAL: - FINISH: - WEIGHT: 0

CUSTOMER DRAWING SCALE: 1:1 SHEET 1 OF 2 REV J

REVISIONS				
#	LTN	DESCRIPTION	DATE	OWN
-	-	SEE SHEET 1	-	-



THIS DRAWING IS A CONTROLLED DOCUMENT.		OWN: B.DU	31OCT2008	 TE Connectivity
DIMENSIONS: mm		CHK: J.ELLISON	31OCT2008	
TOLERANCES UNLESS OTHERWISE SPECIFIED:		APVD: J.ELLISON	31OCT2008	NAME: J.ELLISON
0 PLC ± -	1 PLC ± -	PRODUCT SPEC: CABLE ASSEMBLY, QSFP TO (4) SFP+		
2 PLC ± -	3 PLC ± -	APPLICATION SPEC: -		
4 PLC ± -	ANGLES ± -	MATERIAL: -		
FINISH: -		WEIGHT: -	SIZE: A1	CAGE CODE: 00779
CUSTOMER DRAWING		DRAWING NO: C=2053453		RESTRICTED TO: -
		SCALE: 1:1		SHEET 2 OF 2
				REV: J