






140×140×38 mm

San Ace 140W 9W type   

General Specifications

- Material Frame: Aluminum (Black coating), Impeller: Plastic (Flammability: UL 94V-1)
- Expected life See the table below. (L10 life: 90% survival rate for continuous operation in indoor free air at 60°C, rated voltage)
- Motor protection function Locked rotor burnout protection, Reverse polarity protection
For details, please refer to p. 529.
- Dielectric strength 50/60 Hz, 500 VAC, for 1 minute (between lead wire conductors and frame)
- Insulation resistance 10 MΩ or more with a 500 VDC megger (between lead wire conductors and frame)
- Sound pressure level (SPL) At 1 m away from the air inlet
- Storage temperature -30 to +70°C (Non-condensing)
- Lead wire ⊕Red ⊖Black or Blue (Sensor) Yellow
- Mass 650 g
- Ingress protection IP68

Specifications

The models listed below **have pulse sensors.**

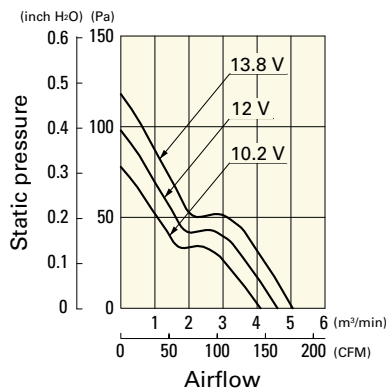
Model no.	Rated voltage [V]	Operating voltage range [V]	Rated current [A]	Rated input [W]	Rated speed [min ⁻¹]	Max. airflow [m ³ /min] [CFM]	Max. static pressure [Pa] [inchH ₂ O]	SPL [dB (A)]	Operating temperature [°C]	Expected life [h]
109W1412H101-U	12	10.2 to 13.8	0.73	8.76	2600	4.5 159	98 0.394	46	-20 to +70	100000/60°C
109W1412M101-U			0.3	3.6	1900	3.3 117	52 0.209	38		
109W1424H101-U	24	20.4 to 27.6	0.37	8.88	2600	4.5 159	98 0.394	46		
109W1424M101-U			0.16	3.84	1900	3.3 117	52 0.209	38		
109W1448H101-U	48	40.8 to 55.2	0.2	9.6	2600	4.6 159	98 0.394	46		
109W1448M101-U			0.09	4.32	1900	3.3 117	52 0.209	38		

Other sensor specifications are available as options. Refer to the index (p. 546).

Airflow - Static Pressure Characteristics

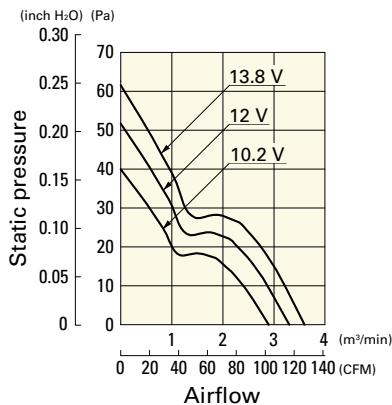
109W1412H101-U With pulse sensor

Operating voltage range



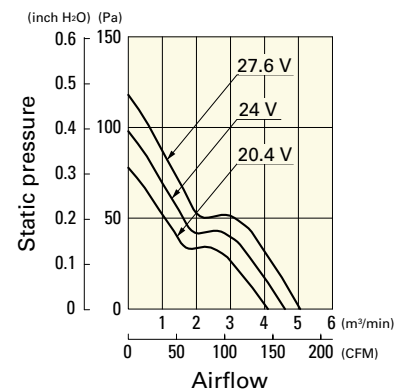
109W1412M101-U With pulse sensor

Operating voltage range



109W1424H101-U With pulse sensor

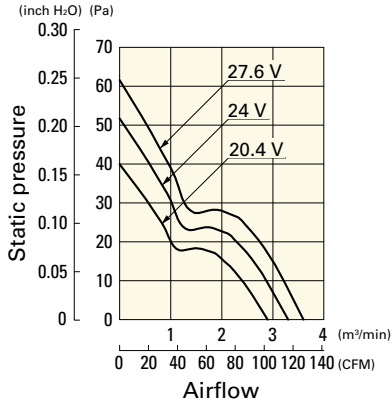
Operating voltage range



Airflow - Static Pressure Characteristics

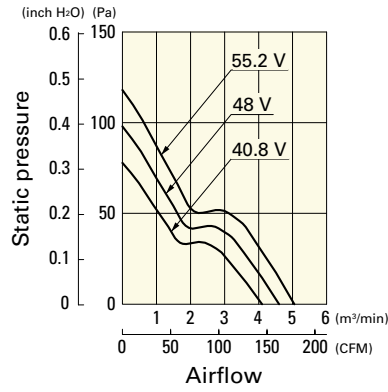
109W1424M101-U With pulse sensor

Operating voltage range



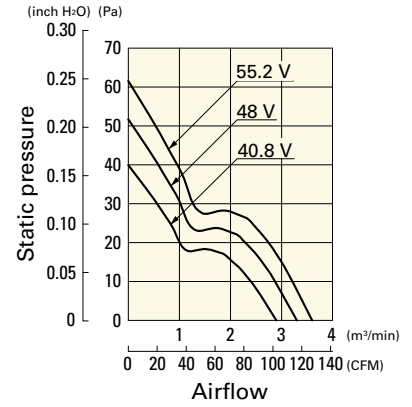
109W1448H101-U With pulse sensor

Operating voltage range

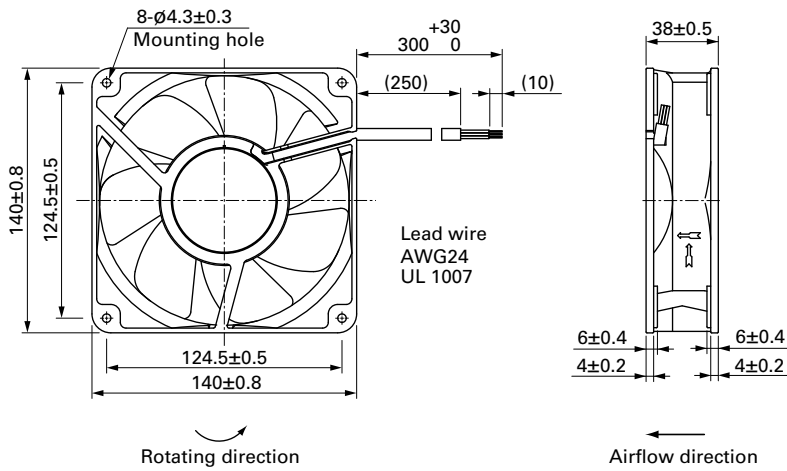


109W1448M101-U With pulse sensor

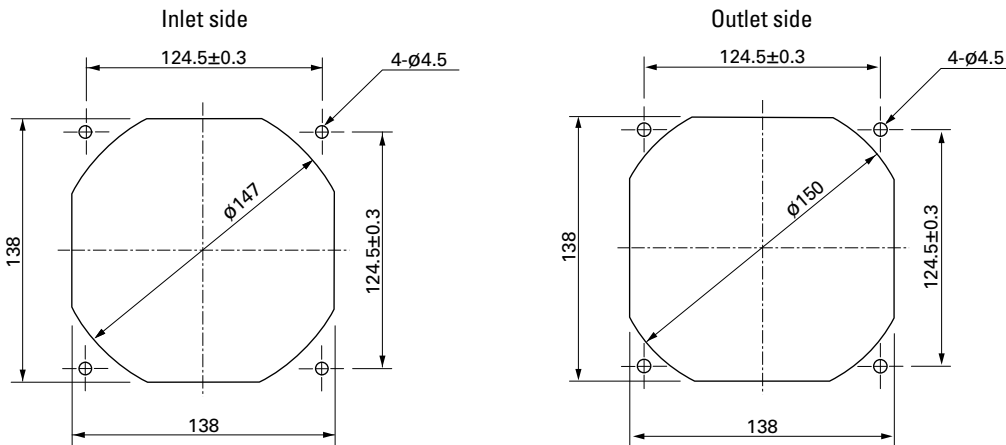
Operating voltage range



Dimensions (unit: mm)



Reference Dimensions of Mounting Holes and Vent Opening (unit: mm)



Options

Finger guards

page: p. 514

Model no.: 109-719, 109-719H