

NOTES:

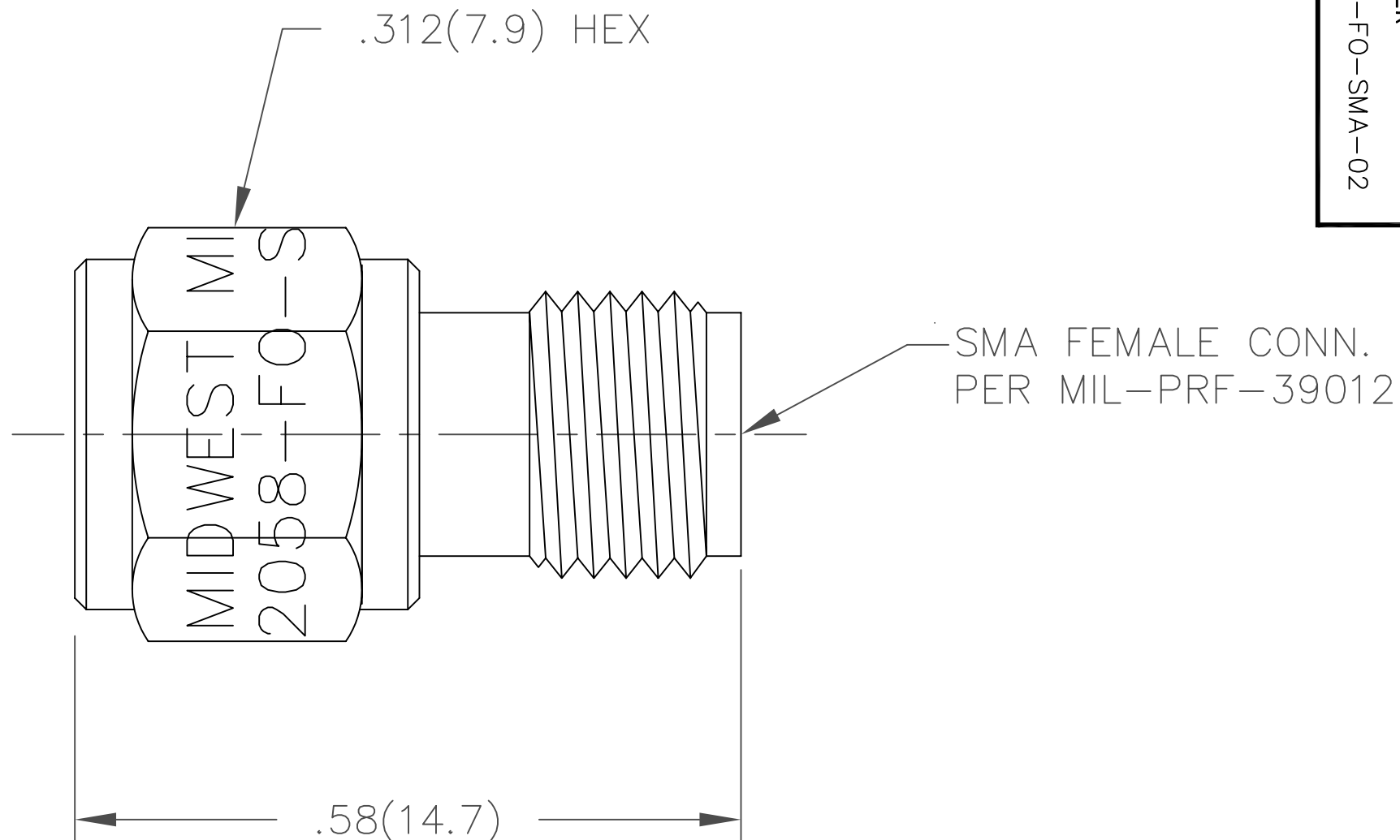
1.0 ELECTRICAL SPECIFICATIONS:

- 1.1 FREQUENCY RANGE: DC to 8.0 GHz.
- 1.2 MAXIMUM INPUT POWER: 2 WATTS AVG. @ +25°C  
DERATED LINEARLY TO 1 WATT @ +125°C
- 1.3 OPERATING & STORAGE TEMP. RANGE:  
-65°C to +125°C
- 1.4 IMPEDANCE: 50 OHMS
- 1.5 VSWR: 1.05 +0.008f(GHz) MAX.

2.0 MARKING:

MARK UNIT AS SHOWN  
(REF.: INK-02639-27-42)

3.0 DIMENSIONS IN PARENTHESIS ARE IN MILLIMETERS.



REV.	DESCRIPTION	DATE
-	RELEASED	1/20/94
-1	ADDED TITLEBLOCK	10/27/05

<p>NOTICE: The information contained in this drawing is proprietary and must not be used without the permission of Emerson Network Power.</p> <p>UNLESS OTHERWISE NOTED DIMENSIONS ARE IN INCHES AND TOLERANCES ARE: 3 PLACE DECIMALS ±.005 2 PLACE DECIMALS ±.02 FRACTIONS ±1/64 PARALLELITY: T.I.R. _____ FLATNESS: T.I.R. _____ CONCENTRICITY: T.I.R. _____ ANGLES AND PERPENDICULARITY: ±1°</p>	<p>CAGE CODE</p> <p><b>34078</b></p>	<p><b>MIDWEST MICROWAVE</b></p>	
	<p><b>EMERSON</b> Network Power Connectivity Solutions</p>	<p>TITLE</p> <p>TERMINATION OUTLINE DRAWING</p>	
<p>DRAWN/DATE M.HOLLMAN 1/11/94</p>	<p>ENG./DATE G.KOZAK 1/12/94</p>	<p>DRAWING NUMBER</p> <p>TRM-2058-FO-SMA-02-01</p>	<p>REV.</p> <p>-1</p>
<p>CHECKED/DATE A.BEATTY 1/12/94</p>	<p>APPROVED/DATE</p>	<p>SCALE: 5=1</p>	<p>SHEET 1 of 1</p>