

MODEL NUMBER
TRM-2048-MO-BNC-10

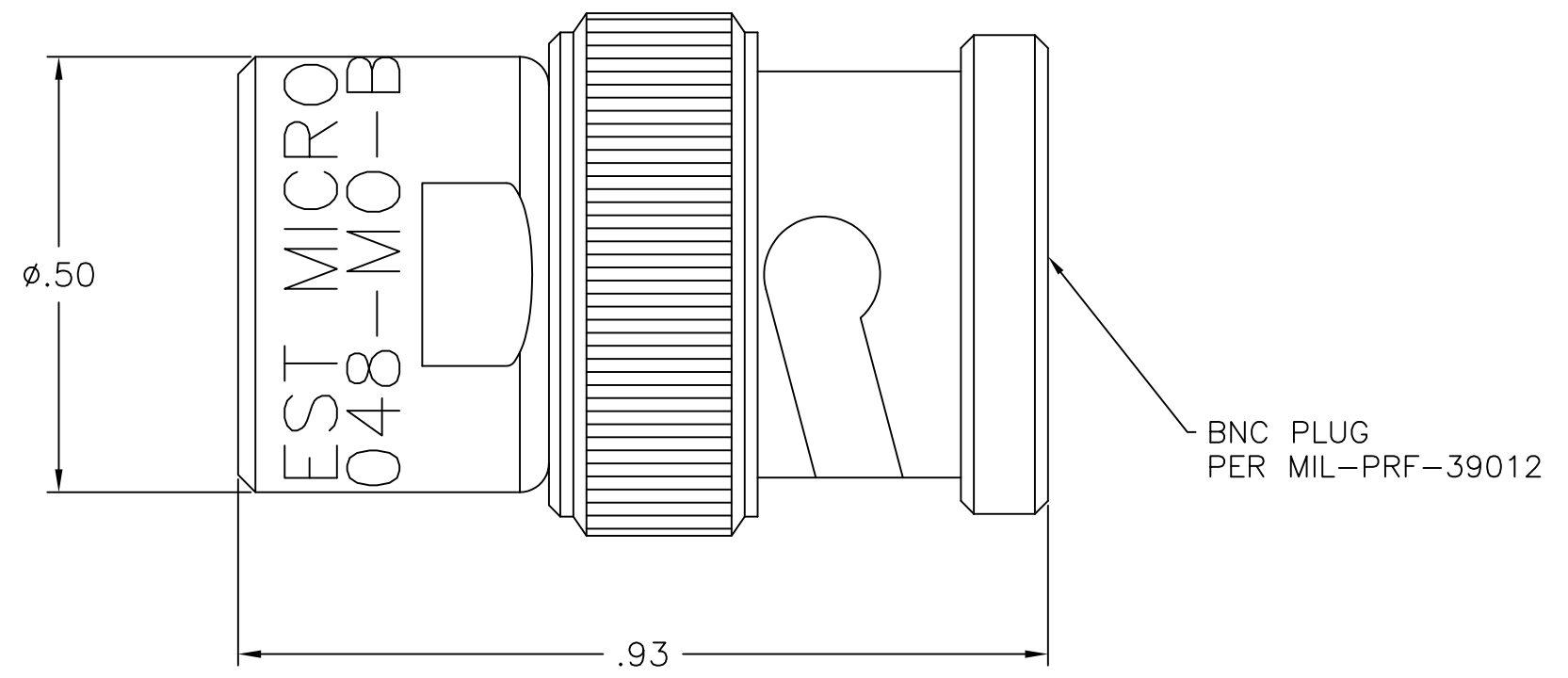
NOTES:

1.0 ELECTRICAL SPECIFICATIONS:

- 1.1 FREQUENCY RANGE: DC TO 4.0 GHz
- 1.2 INPUT POWER:
 - 2 WATTS @ +25°C
 - 0.5 WATTS @ +125°C
- 1.3 OPERATING TEMP RANGE: -55°C TO +125°C
- 1.4 IMPEDANCE: 50 OHMS
- 1.5 VSWR: 1.20:1 MAX

2.0 MARKING: (MARK UNIT AS SHOWN)

REF: INK-02638-27-04



REV.	DESCRIPTION	DATE
-	RELEASED	3/21/79
A	ECR 6545 (RENUMBER)	6/29/89
B	ECN 10572	5/24/91
B1	REDRAW ON CAD	9/24/91
B2	ADDED TITLEBLOCK	10/26/05
C	ECO 23981	11/29/11

NOTICE: The information contained in this drawing is proprietary and must not be used without the permission of Emerson Network Power.

UNLESS OTHERWISE NOTED DIMENSIONS ARE IN INCHES AND TOLERANCES ARE:
 3 PLACE DECIMALS ±.005
 2 PLACE DECIMALS ±.02
 FRACTIONS ±1/64
 PARALLELITY: T.I.R. _____
 FLATNESS: T.I.R. _____
 CONCENTRICITY: T.I.R. _____
 ANGLES AND PERPENDICULARITY: ±1'

CAGE CODE 34078		MIDWEST MICROWAVE	
		TITLE TERMINATION OUTLINE DRAWING	
		DRAWING NUMBER TRM-2048-MO-BNC-10-01	REV. C
DRAWN/DATE A.BEATTY 9/24/91 CHECKED/DATE	ENG./DATE G.KOZAK 9/24/91 APPROVED/DATE	SCALE: 5=1	SHEET 1 of 1