

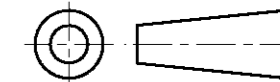
DO NOT SCALE

DIMENSIONS IN mm

METRIC

THIRD ANGLE

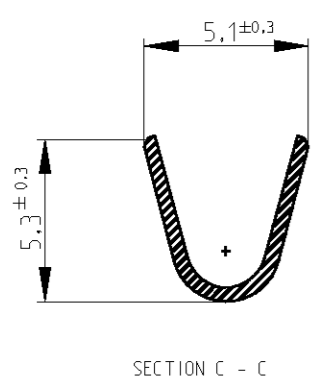
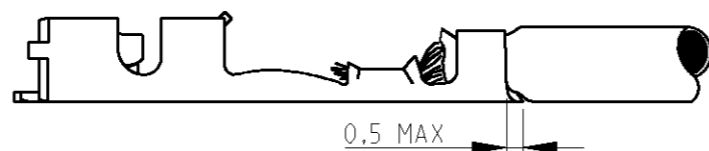
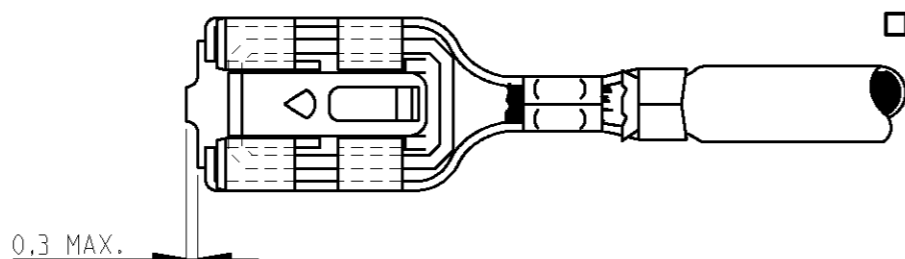
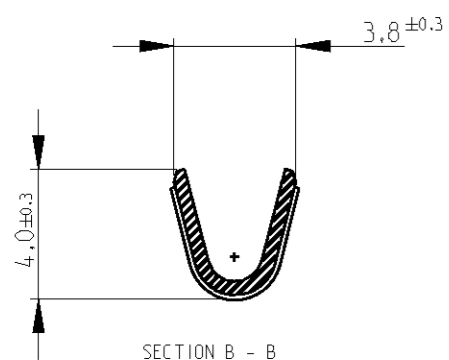
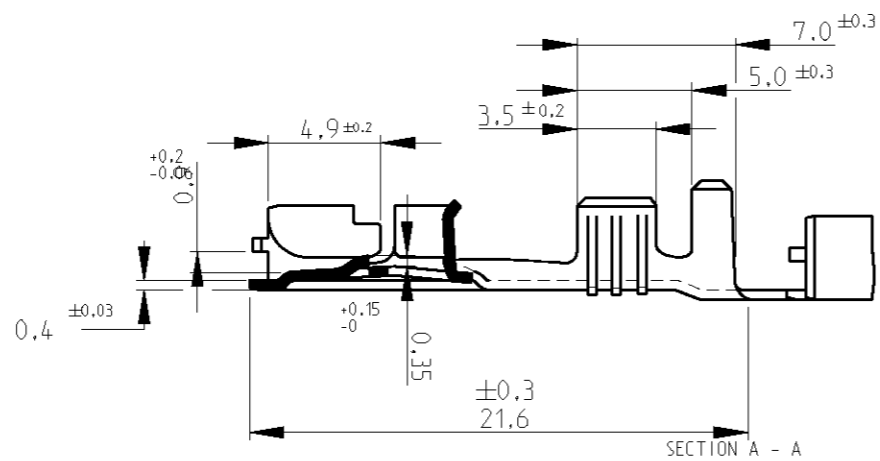
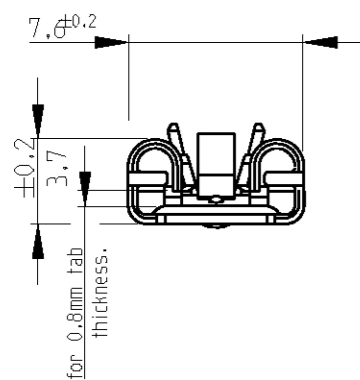
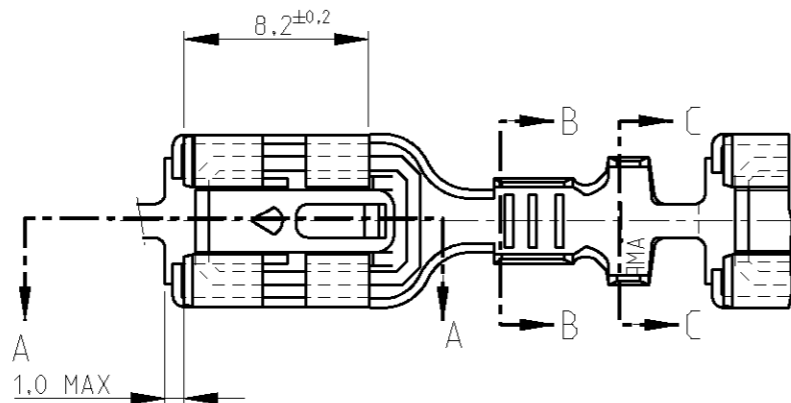
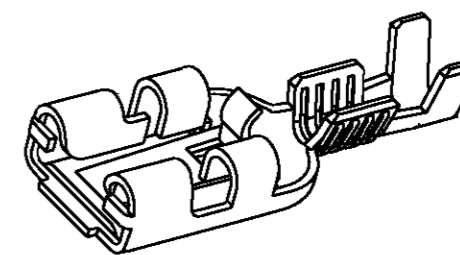
PROJECTION



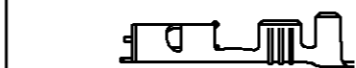
NOTES :

- 1. FOR USE ON MINI HD APPLICATOR (LEFT - RIGHT FEED).
- 2. TINPLATING THICKNESS .000080 MIN - .000400 MAX. (INCH).
- 3. MATERIAL PH.BRONZE ACC. AMP-SPEC 100-221.

4 OBSOLETE PARTS: OBSOLETE CIS STREAMLINING
PER D.RENAUD/D.SINISI



DIRECTION OFF TOP OF REEL



WIRE RANGE :
>1.0-2.5 mm²
INSULATION RANGE :
2.1-3.1 DIA.

107 - 3 FIG 6.

WIRE	CRIMP HEIGHT	CRIMP WIDTH
1.5mm?	1.76mm	.110 'F'
2.0mm?	1.90mm	.110 'F'
2.5mm?	2.04mm	.110 'F'

100016-4	PRE-TINPLATED	PH.BRONZE	216330-4
100016-3	SILVERPLATED	PH.BRONZE	216330-3
100016-2	TINPLATED	PH.BRONZE	216330-2
100016-1	UNPLATED	PH.BRONZE	216330-1
LOOSE PIECE NR.	FINISH	MATERIAL	PARTNUMBER

-	-	-	-	-	CUSTOMER DRAWING	FOR REFERENCE ONLY WILL NOT BE UPDATED
-	-	-	-	-	© COPYRIGHT 19 - BY Tyco. ELECTRONICS AMP ESPAÑOLA S.A	ALL INTERNATIONAL RIGHTS RESERVED. AMP PRODUCTS MAY BE COVERED BY U.S. AND FOREIGN AND/OR PATENTS PENDING.
-	-	-	-	-	tyco Electronics	Tyco Electronics AMP Española S.A. BARCELONA / ESPAÑA
-	-	-	-	-	A1 REVISED PER ECO-09-025714	NAME
-	-	-	-	-	A REVISED PER EC ES00-0029-03	.250 L.I.F. AUTOMOTIVE POS. LOCK REC. MKII
-	-	-	-	-	0 EH-0285-94	
-	-	-	-	-	LTR REVISION RECORD	
DR.:	J.v.LIEMPT	CHK.:	H.v.d.STEEN	APP.:	L.v.SOEST	DWG.No.
DATE:	26 APR 94	DATE:	-	DATE:	-	C-216330
						REV.LTR.
						A1
						SHEET
						1 OF 1
						A3