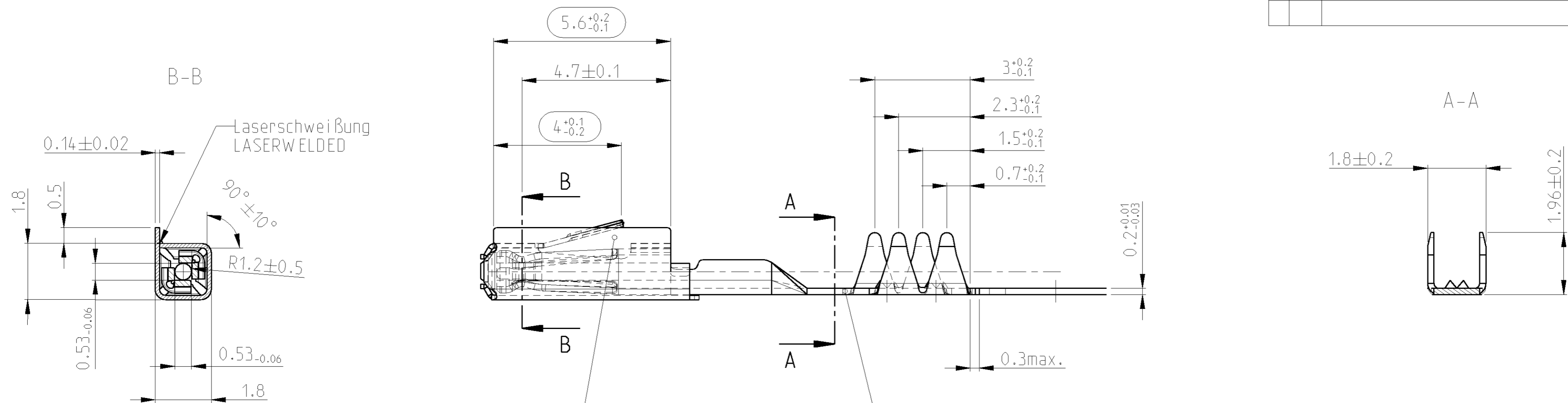


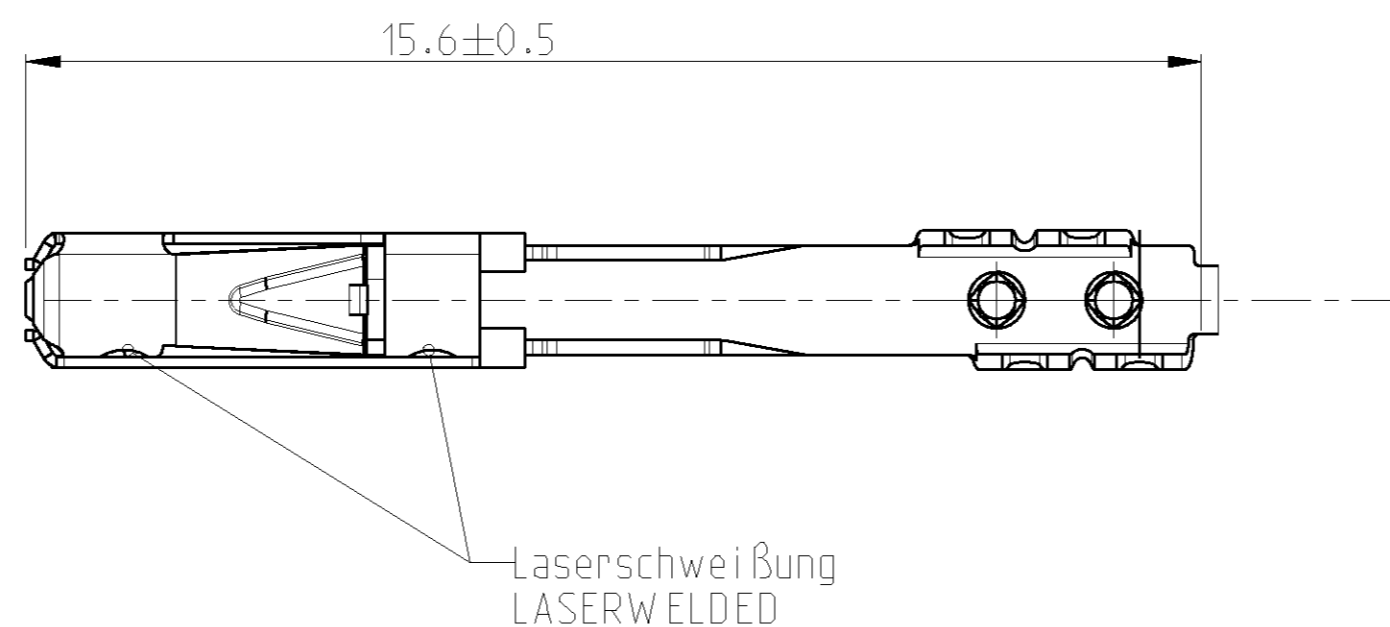
THIS DRAWING IS UNPUBLISHED. RELEASED FOR PUBLICATION 2003
 © COPYRIGHT 2003 BY TYCO ELECTRONICS CORPORATION. ALL RIGHTS RESERVED.

LOC	DIST	REVISIONS					
		P	LTR	DESCRIPTION	DATE	DWN	APVD
A1	-		A	EGA0-0352-03	14.10.03	JJ	HW
			A1	EGA0-0621-03	22.10.03	JJ	HW
			A2	ECR-05-007181	18.07.05	JJ	WSt



Überfeder / SPRING
 Material: X12CrNi 17 7
 DIN 17224
 Oberfläche / SURFACE: blank

Kontaktkörper / BODY
 Material: CuNiSi
 Oberfläche: siehe Tabelle
 SURFACE: SEE CHART



Bemerkungen
 NOTES

-
-
- 1 Einzelheiten der Ausführung bleiben dem Hersteller überlassen
 DETAILS OF DESIGN ARE LEFT TO MANUFACTURER
- 2 Passend zu Stiftkontakt siehe Zeichnung: PN: 929453
 SUITABLE FOR PIN CONTACT SEE DRAWING:
-
-

Sn: verzinnzte Ausführung
 TINNED

Kontaktkörper: 0.8-2 µm Sn
 BODY: 0.8-2 µm Sn

1418887-1	A1	1418930-1	Sn	0.1
Bestell-Nr.: ORDER-NO.	Rev.	Einzelausführung LOOSE PIECE ORDER NO	Oberfläche SURFACE	Gewicht WEIGHT (g)

<small>THIS DRAWING IS A CONTROLLED DOCUMENT FOR TYCO ELECTRONICS CORPORATION IT IS SUBJECT TO CHANGE AND THE CONTROLLING ENGINEERING ORGANIZATION SHOULD BE CONTACTED FOR THE LATEST REVISION.</small>		DWN: J.Jauris 14OCT2003 CHK: H.Wendling 22OCT2003 APVD: - PRODUCT SPEC: - APPLICATION SPEC: - WEIGHT: - CUSTOMER DRAWING: -	tyco Electronics tyco Electronics AMP GmbH D - 64625 Bensheim
DIMENSIONS: mm TOLERANCES UNLESS OTHERWISE SPECIFIED: DIN 6930-m 0 PLC ± 1 PLC ± 2 PLC ± 3 PLC ± 4 PLC ± ANGLES ±° FINISH: -		NAME: MQS-CONTACT WITH NEW FFC-CRIMP MQS-BUK0 mit neuem FFC-Crimp Extr.-Folie SIZE: A2 CAGE CODE: 00779 DRAWING NO: 1418887 RESTRICTED TO: -	SCALE: 10:1 SHEET: 1 OF 1 REV: A2