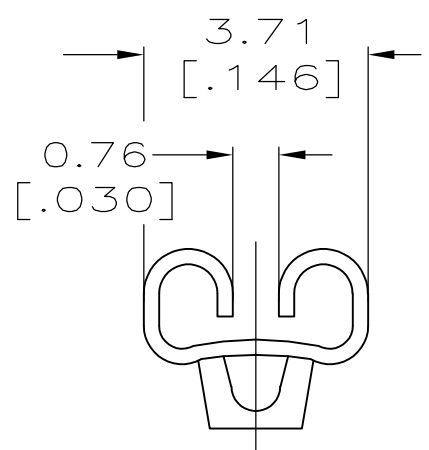
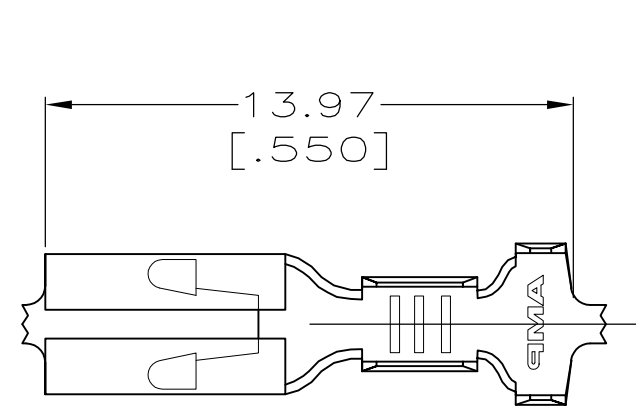


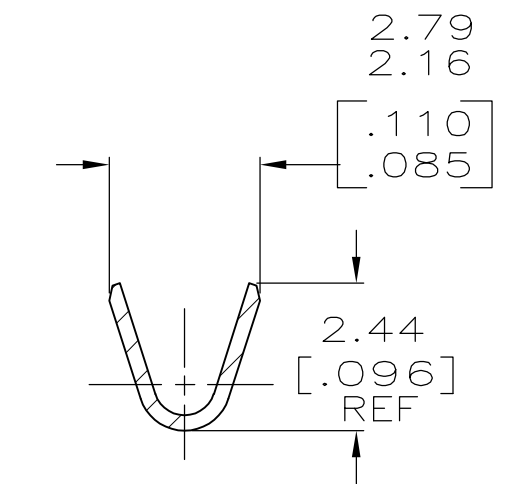
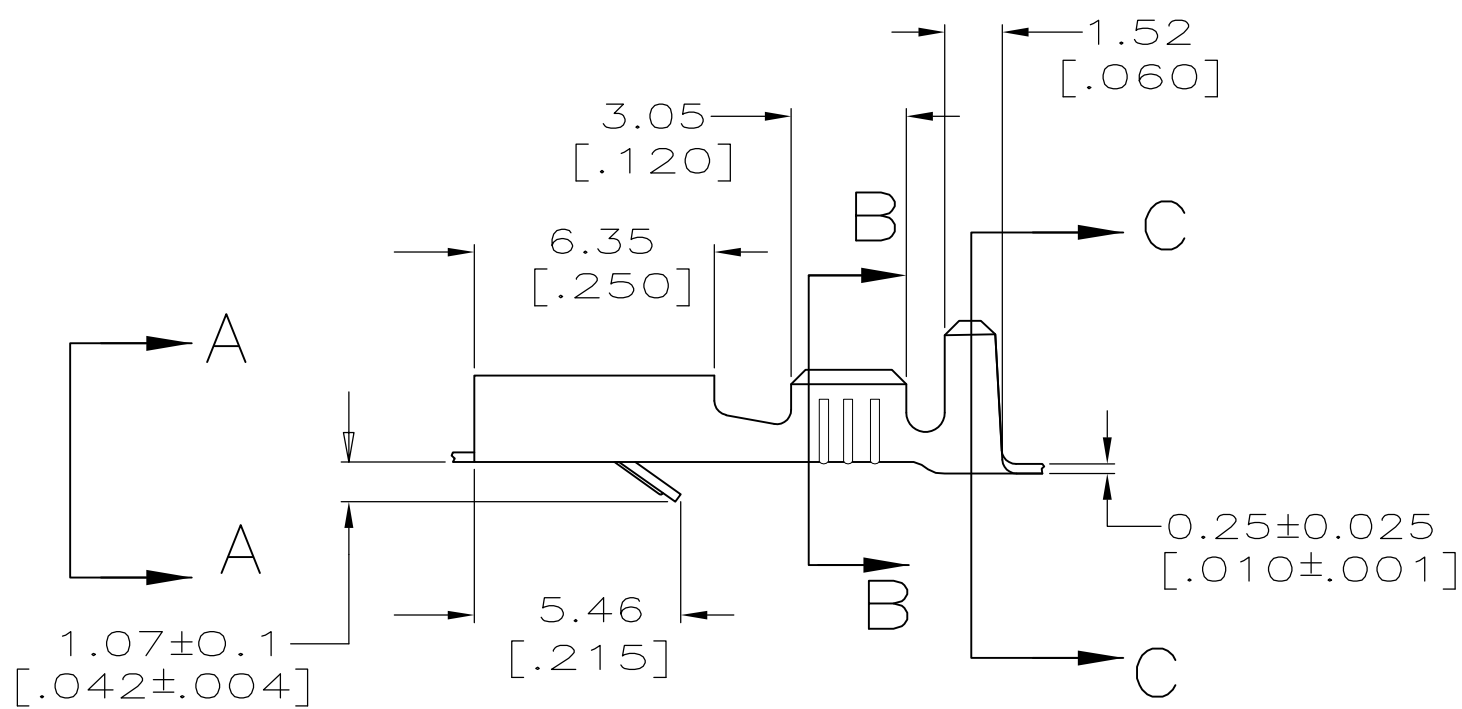
THIS DRAWING IS UNPUBLISHED. RELEASED FOR PUBLICATION
 © COPYRIGHT BY TYCO ELECTRONICS CORPORATION. ALL INTERNATIONAL RIGHTS RESERVED.

LOC	DIST	REVISIONS					
AF	50	P	LTR	DESCRIPTION	DATE	DWN	APVD
		L1		REVISED PER ECR-10-016366	10AUG10	HMR	PD

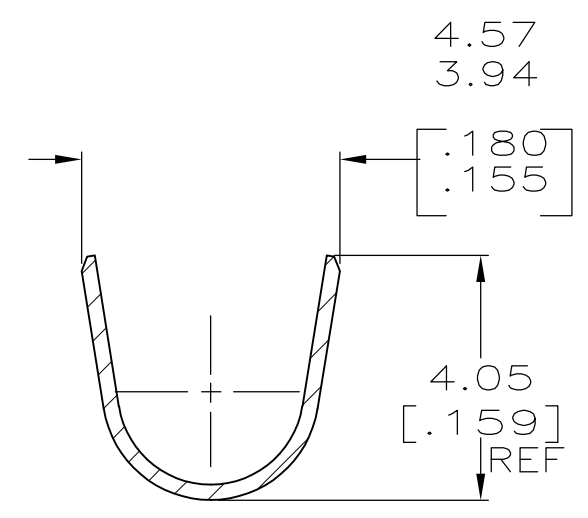


VIEW A-A
SCALE 8:1

- 1 CONTINUOUS STRIP ON REELS.
- 2 MATING TAB THK TO BE 0.51 ± 0.025 [.020 ± .001].
- 3 WIRE SIZE IS [#22-#18] AWG.
- 4 INSULATION RANGE IS 2.03-3.05 [.080-.120] DIA.



SECTION B-B
SCALE 8:1



SECTION C-C
SCALE 8:1

	PRE-TIN	63241-3
OBSOLETE	0.002032 [.000080] MIN TIN	63241-2
	-	63241-1
	FINISH	PART NO.

F	3.56 [.140]	3.96 [.156]	F	1.78 [.070]	0.94 [.037] [#22]	
					1.02 [.040] [#20]	
					1.14 [.045] [#18]	
TYPE	WIDTH	STRIP LENGTH ±0.38 ±[.015]	TYPE	WIDTH	±.051±.002 HEIGHT	WIRE
INSUL BARREL CRIMP			WIRE BARREL CRIMP			

THIS DRAWING IS A CONTROLLED DOCUMENT.

DWN	JR RUTH	3/27/97	Tyco Electronics Corporation Harrisburg, PA 17105-3608
CHK	MS FEHER	3/27/97	
APVD	J GILLESPIE	3/27/97	
PRODUCT SPEC			
APPLICATION SPEC	114-2065		NAME RECEPTACLE, FASTIN-FASTON, 2.79 [.110] SERIES
WEIGHT	-		SIZE A300779
			CAGE CODE C-63241
			DRAWING NO 63241
			RESTRICTED TO -
CUSTOMER DRAWING			SCALE 5:1 SHEET 1 OF 1 REV L1

MATERIAL: H04 BRASS
FINISH: SEE TABLE