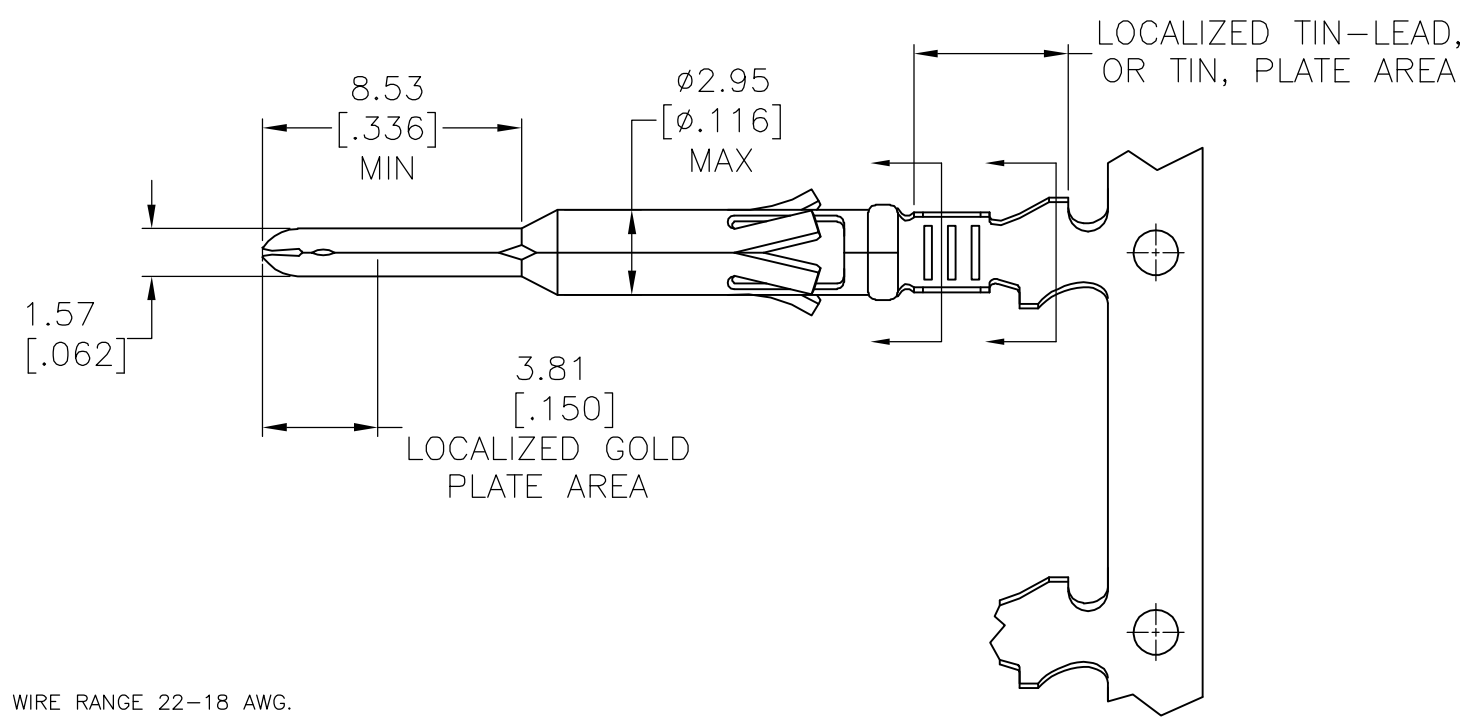
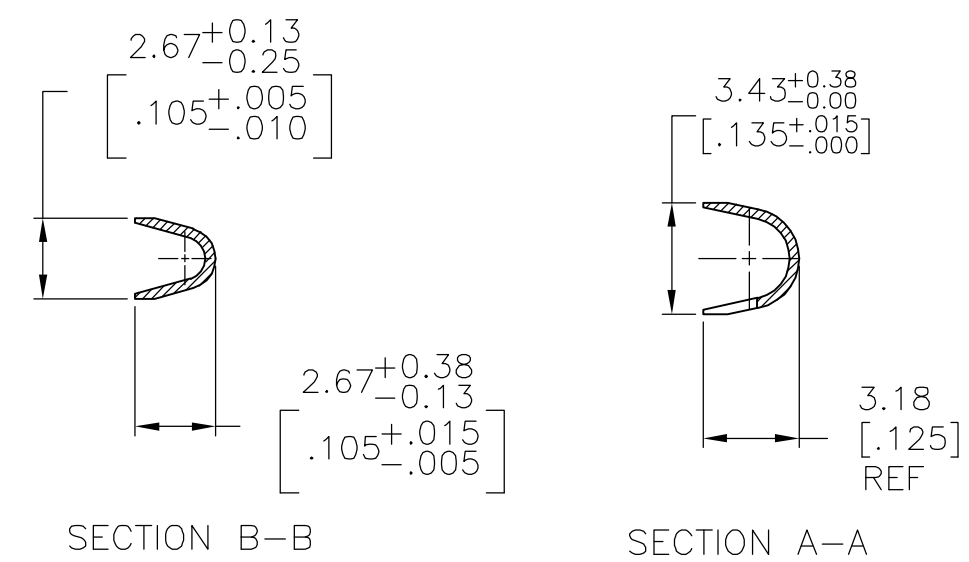
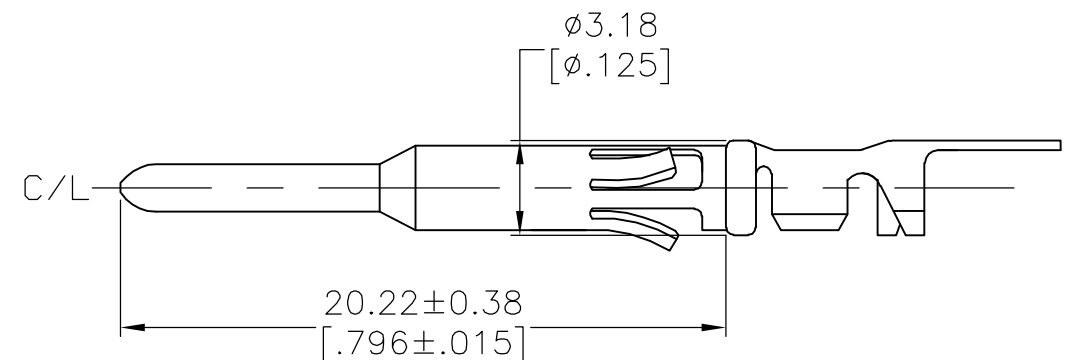
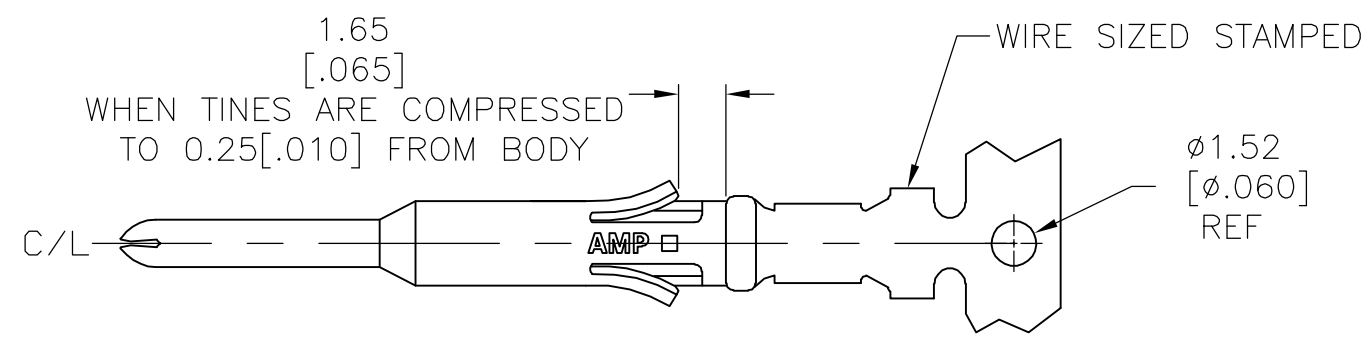


THIS DRAWING IS UNPUBLISHED. RELEASED FOR PUBLICATION
 © COPYRIGHT BY TYCO ELECTRONICS CORPORATION. ALL RIGHTS RESERVED.

LOC	DIST	REVISIONS			
P	LTR	DESCRIPTION	DATE	DWN	APVD
FT	0	F1	REV PER ECO-05-13552	11/16/05	SS GS



DESCRIPTION	FINISH	PART NUMBER
REVERSE REELED FOR MINI-APPLICATOR	4	66581-7
REVERSE REELED FOR MINI-APPLICATOR	4	66581-4
-	4	66581-3
REVERSE REELED FOR MINI-APPLICATOR	5	66581-2
-	5	66581-1

- WIRE RANGE 22-18 AWG.
 - INSULATION RANGE 1.27-2.79 [.050-.110] DIA.
 - FOR LOOSE PIECE PART SEE DWG 66591.
- 4 0.76 μm [.000030] MIN GOLD IN LOCALIZED GOLD PLATE AREA, 1.27 μm [.000050] MIN TIN-LEAD IN LOCALIZED TIN-LEAD PLATE AREA, BOTH OVER 1.27 μm [.000050] MIN NICKEL.
 - 5 TIN PLATED.
 - 6 GOLD PLATING PER MIL-G-45204, TIN PER MIL-T-10727 AND NICKEL PER QQ-N-290.
 - 7 0.76 μm [.000030] MIN GOLD IN LOCALIZED GOLD PLATE AREA, 1.27 μm [.000050] MIN TIN IN LOCALIZED TIN PLATE AREA, BOTH OVER 1.27 μm [.000050] MIN NICKEL.

THIS DRAWING IS A CONTROLLED DOCUMENT.		DWN V. FURLER 15MAY2003	Tyco Electronics Corporation Harrisburg, PA 17105-3608	
DIMENSIONS: mm [INCHES]		CHK G. STEINHAUER 16MAY03		
TOLERANCES UNLESS OTHERWISE SPECIFIED:		APVD G. STEINHAUER 16MAY03	NAME CONTACT, PIN, STRIP, TYPE VI, MULTIMATE	
0 PLC ± - 1 PLC ± - 2 PLC ± 0.13 [.005] 3 PLC ± - 4 PLC ± - ANGLES ± -		PRODUCT SPEC -	SIZE A3 CAGE CODE 00779 DRAWING NO C-66581 RESTRICTED TO -	
MATERIAL BRASS MIL-C-50		FINISH SEE TABLE 4	WEIGHT -	
		CUSTOMER DRAWING		SCALE NTS SHEET 1 OF 1 REV F1