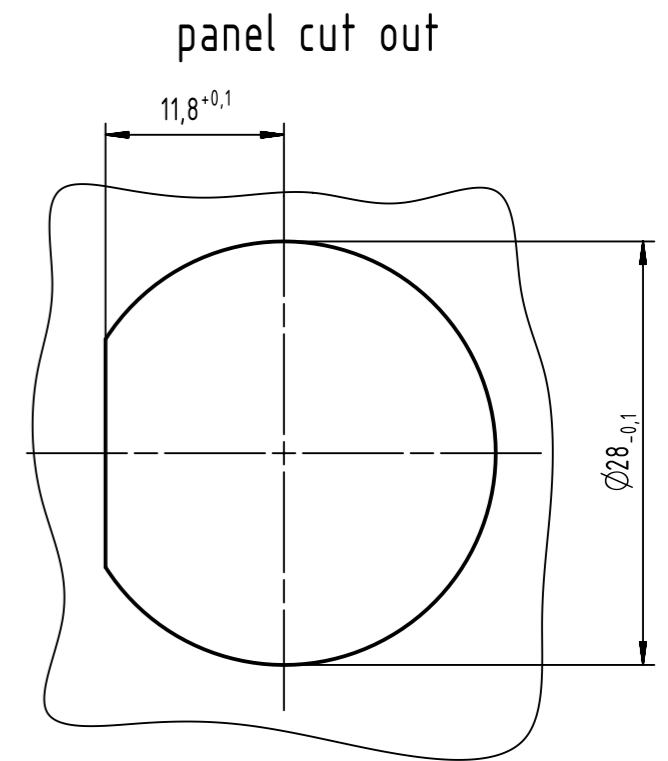
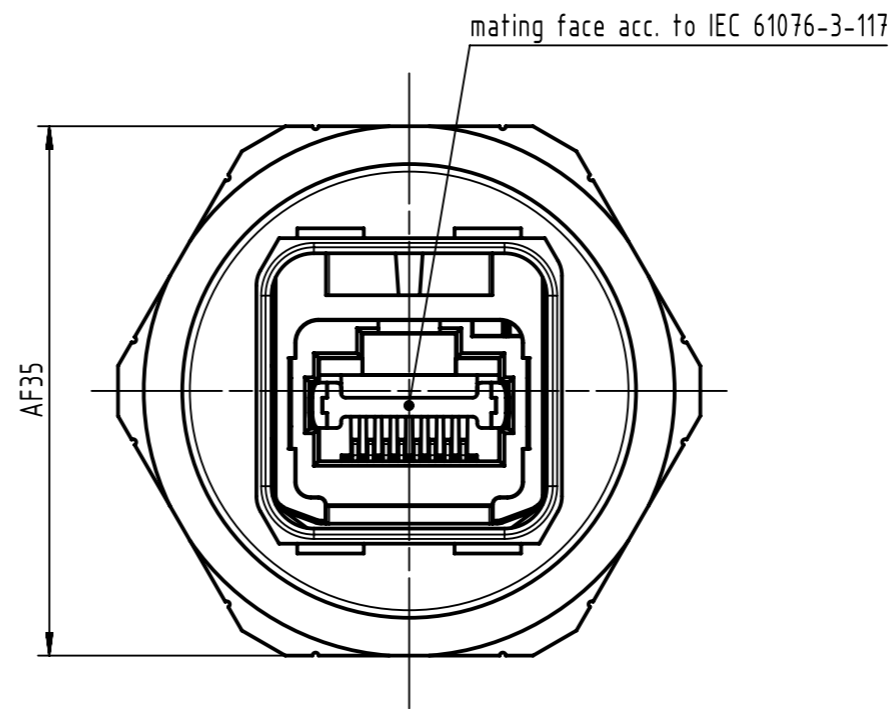
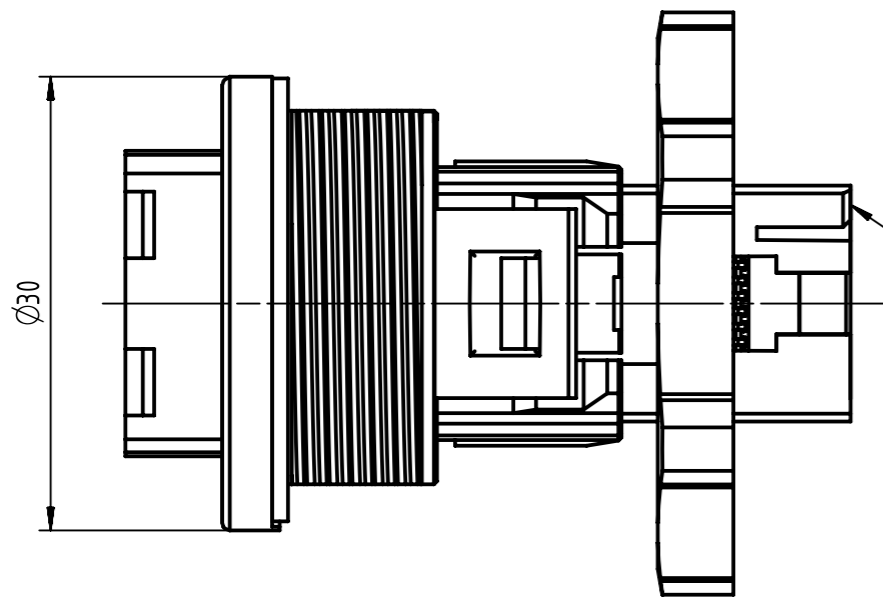


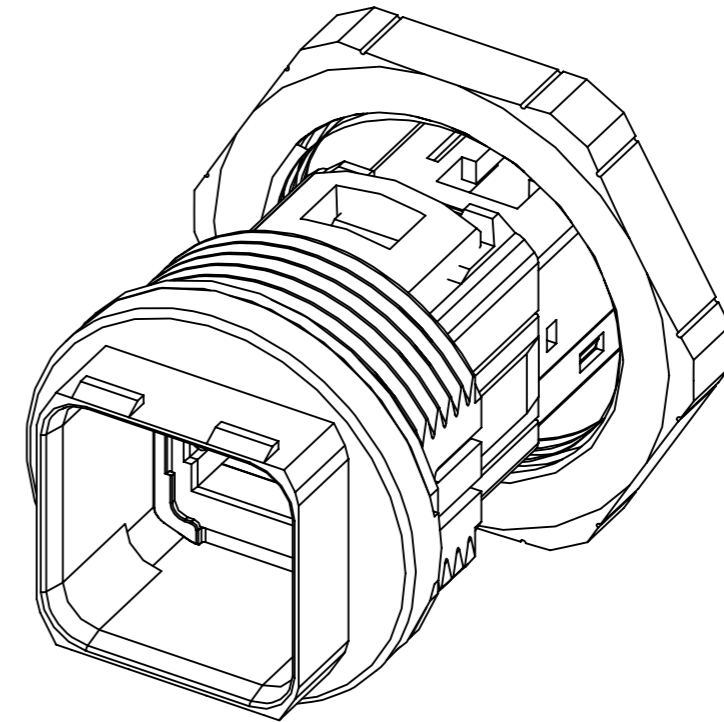
connection for ground contact




panel thickness: 1mm - 6mm
nut torque: 2.5Nm - 3Nm



connection for ground contact



	All Dimensions in mm Original Size DIN A3		Scale 2:1	Free size tol.		Ref.	
	All rights reserved Department EC PD - DE		Created by ELLERMANN	Inspected by TADJE	Standardisation KOHLER	Date 2017-08-10	State Final Release
HARTING Electronics GmbH D-32339 Espelkamp		Title Han PP V14 RJ45 PFT metal circular Bulkhead Cat. 6				Doc-Key / ECM-Nr. 100221210/UGD/002/D 500000123227	
		Type TB	Number 09352250312			Rev. D	Page 1/1