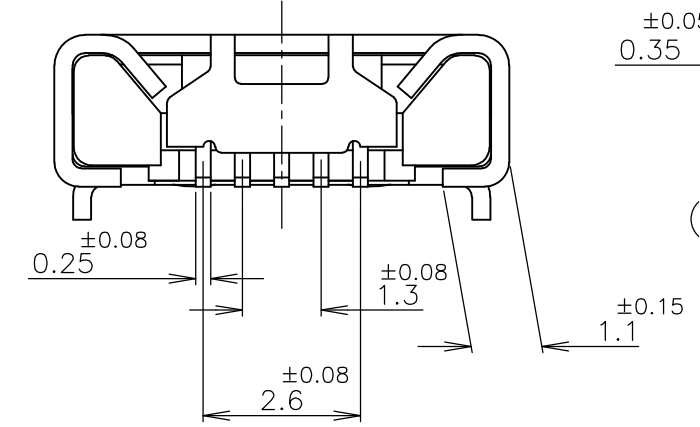
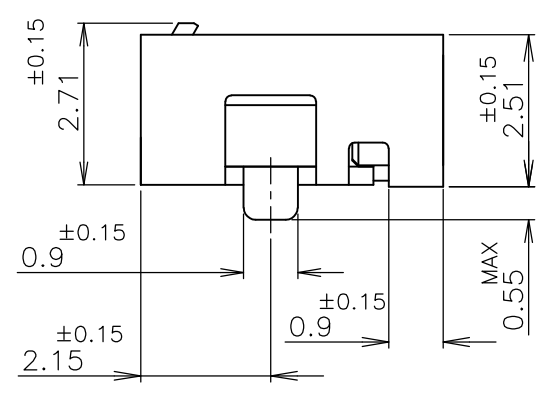
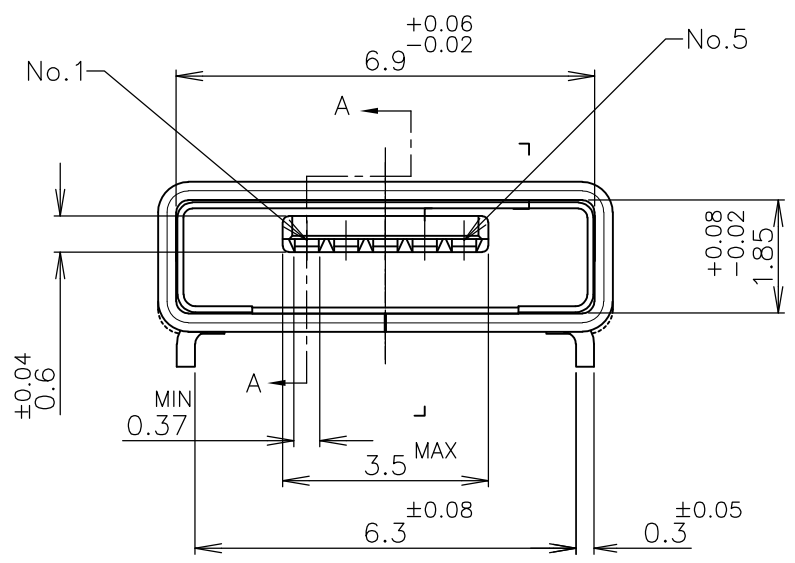
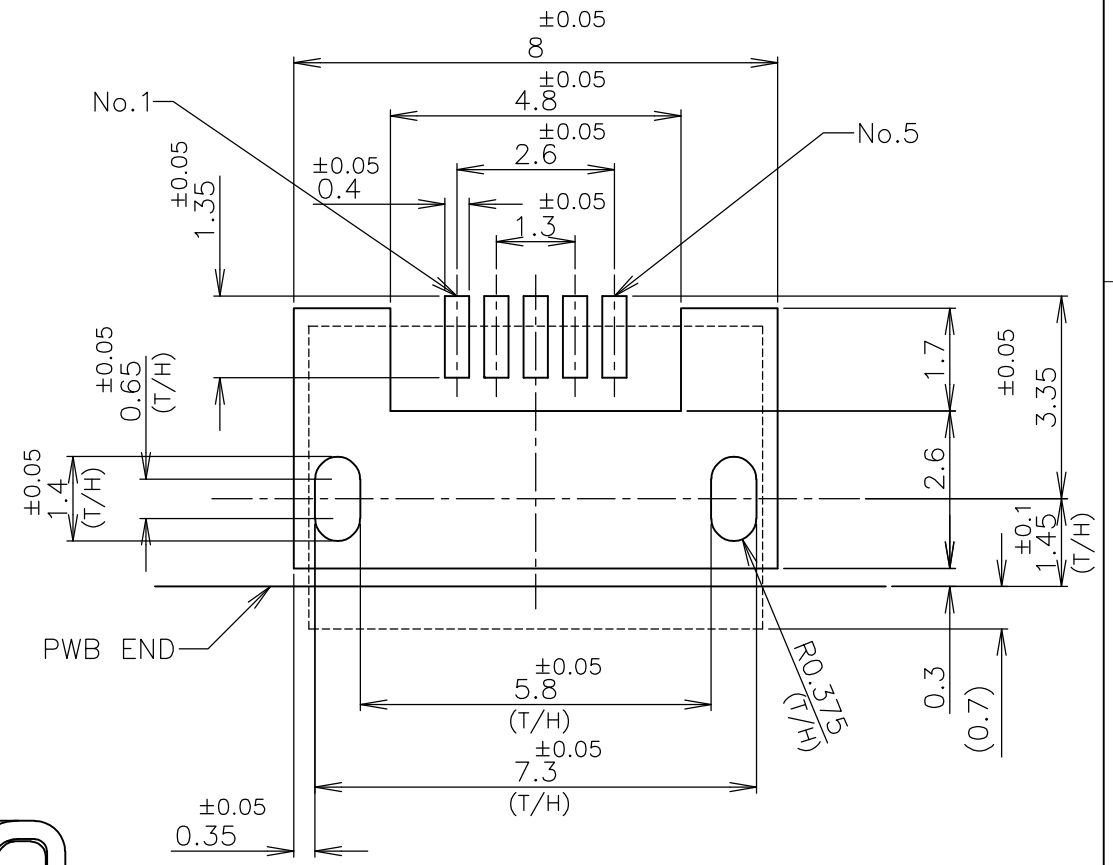
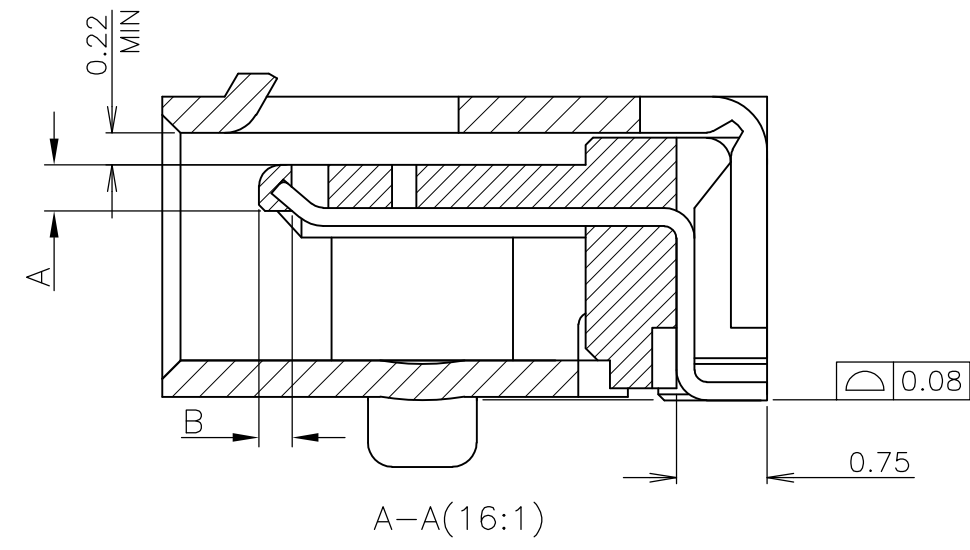
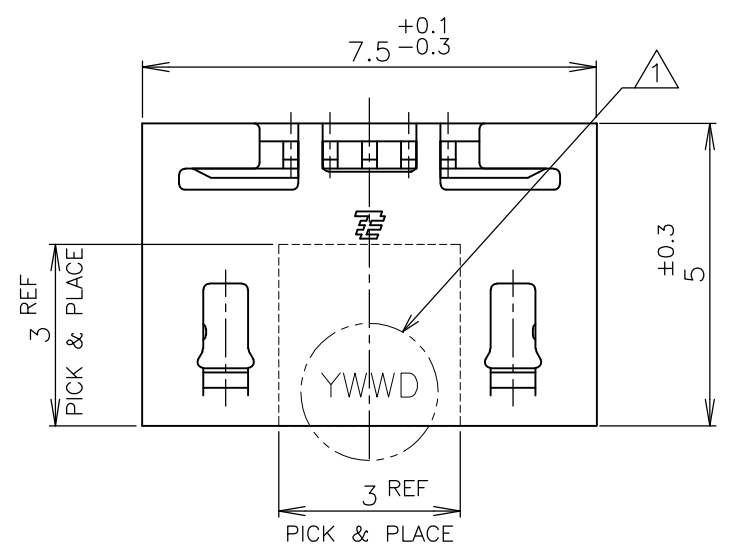


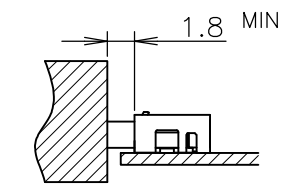
THIS DRAWING IS UNPUBLISHED. RELEASED FOR PUBLICATION NOV. 2011.
 © COPYRIGHT 2011 By Tyco Electronics Japan G.K. ALL RIGHTS RESERVED.

LOC	DIST	REVISIONS					
J	/	P	LTR	DESCRIPTION	DATE	DWN	APVD
			A6	REVISED(ECR-16-006030)	29Apr2016	A.X	H.W



PWB LAYOUT(REFERENCE)
(VIEWED FROM CONNECTOR MOUNT SIDE)

DISTANCE BETWEEN PLUG & RECE



(REFERENCE DIMENSION)

① LASER MARKING: YWW

DATE CODE
(YEAR, WEEK, DAY)

- 2. OVERALL TOLERANCE: ±0.2
- 3. MATERIAL HOUSING: THERMOPLASTIC RESIN UL94V-0
CONTACT: COPPER ALLOY
SHELL : STAINLESS STEEL
(APPLIED GREASE AT LOCK POSITION)
- 4. FINISH CONTACT: Ni UNDER PL Au PL
SHELL : Ni UNDER PL
Sn PL OR ADDITIONAL SELECTIVE BLACK Ni PL

- 5. PREVENTION OF WRENCHING
PLEASE HOLD THE TOP AND THE SIDE OF CONNECTOR BY THE CASE.
- 6. PREVENTION OF HITTING DURING PLUG INSERTION
PLEASE SET THE INSERTION GUIDE ALONG THE MATING SURFACE.

④ 7. FOR P/N:2134536-3, REFLOW PEAK TEMPERATURE: 250 DEGREE.
REFLOW PROCESS WITH NITROGEN PROTECTION.

⑥ ONLY 2134536-5&-6&-7 PIN1 DIM B=0.60,THE OTHER PIN&P/N DIM B=0.27

DESCRIPTION(HSG)	DESCRIPTION(SHELL)	PART NUMBER	DIM A	DIM B(PIN 1)	
⑤	COLOR: WHITE	Sn AND Ni PLATING	2134536-6	0.43	0.60
④	COLOR: BLACK	Ni 0.6um Min. PLATING GOLD FLASH PLATING BLACK Ni SELECTIVE PLATING	2134536-4	0.38	0.27
⑤	COLOR: BLACK	Ni 0.6um Min. PLATING GOLD FLASH PLATING BLACK Ni SELECTIVE PLATING	2134536-5	0.43	0.60
④	COLOR: BLACK	Ni 0.6um Min. PLATING GOLD FLASH PLATING BLACK Ni SELECTIVE PLATING	2134536-3	0.38	0.27
⑥	COLOR: GRAY	Sn AND Ni PLATING	2134536-7	0.43	0.60
①	COLOR: GRAY	Sn AND Ni PLATING	2134536-2	0.38	0.27

THIS DRAWING IS A CONTROLLED DOCUMENT.

DIMENSIONS: 単位: 耗 MM	TOLERANCES UNLESS OTHERWISE SPECIFIED: 一般公差
	0 PLC ± - 1 PLC ± - 2 PLC ± - 3 PLC ± - 4 PLC ± - ANGLES ± -
MATERIAL 材料	FINISH 仕上

DWN	07NOV2011
C.OHASHI	
CHK	08NOV2011
A.KUBO	
APVD	08NOV2011
T.KUSUHARA	
PRODUCT SPEC	
製品規格	108-78434
APPLICATION SPEC	
取付適用規格	408-78009
WEIGHT	0.24g

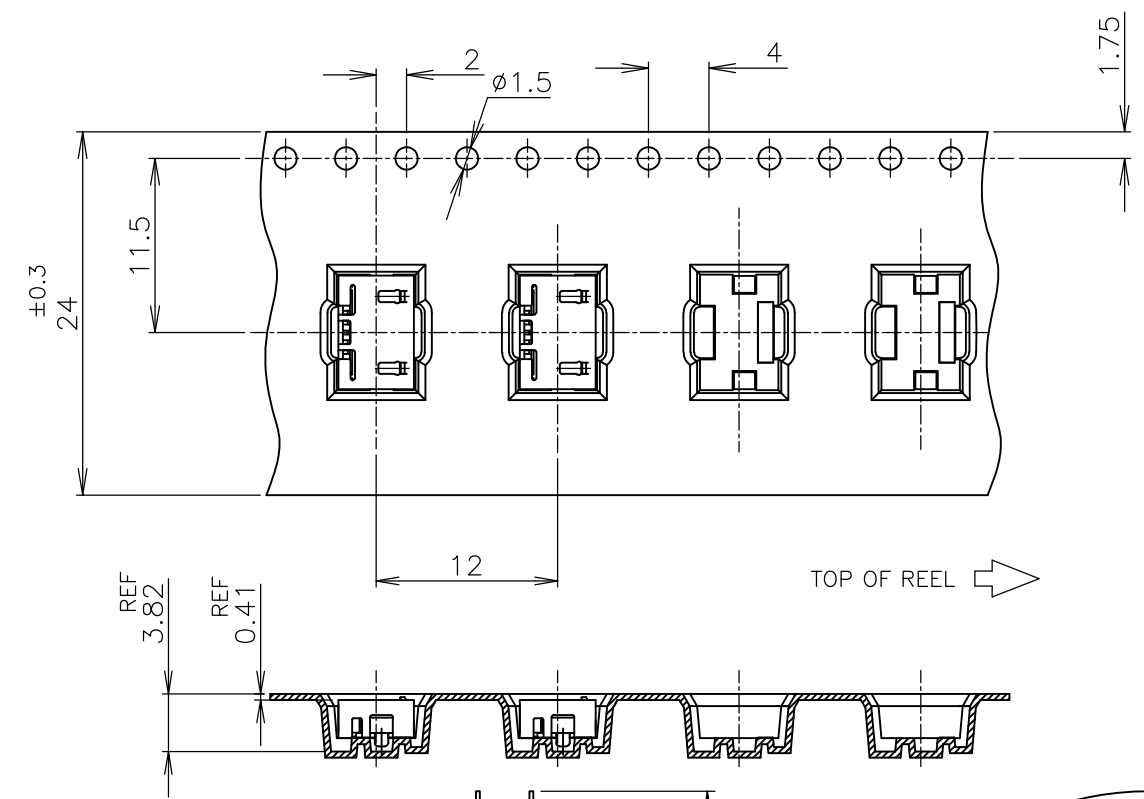


MICRO USB
RECEPTACLE STANDARD TYPE AB
FLANGELESS

NAME 名称			
SIZE	CAGE CODE	DRAWING NO 番号	RESTRICTED TO
A3	00779	C-2134536	-
SCALE 尺度 NTS		SHEET 1 OF 3	REV A6

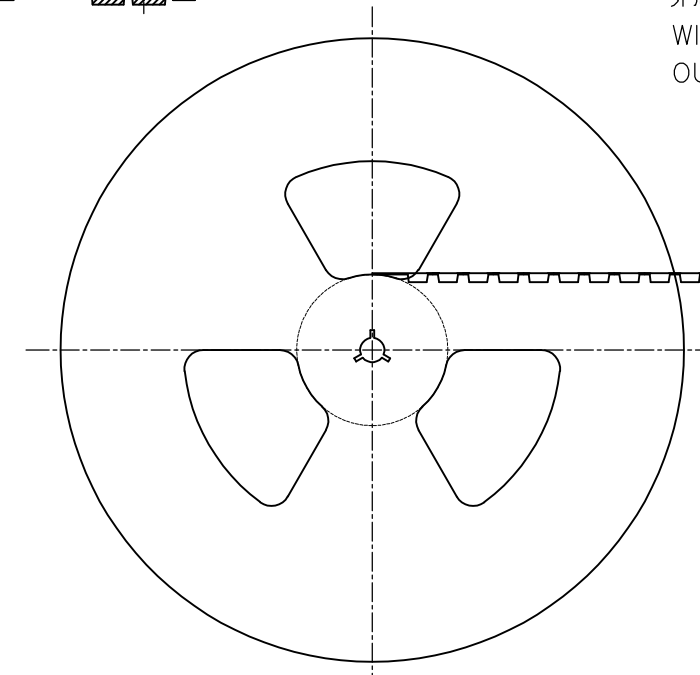
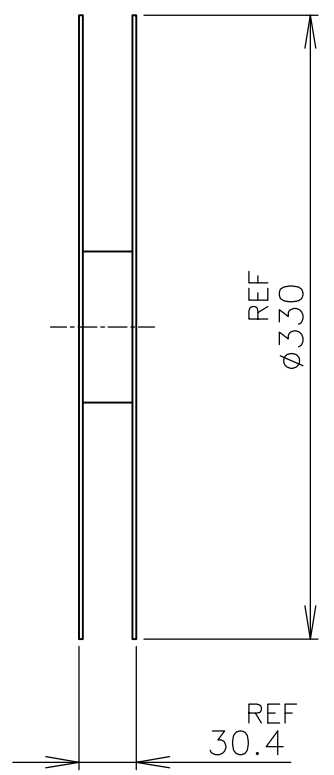
THIS DRAWING IS UNPUBLISHED. RELEASED FOR PUBLICATION NOV. 2011.
 © COPYRIGHT 2011 By Tyco Electronics Japan G.K. ALL RIGHTS RESERVED.

LOC	DIST	REVISIONS					
J	/	P	LTR	DESCRIPTION	DATE	DWN	APVD
		-		SEE SHEET 1	-	-	-

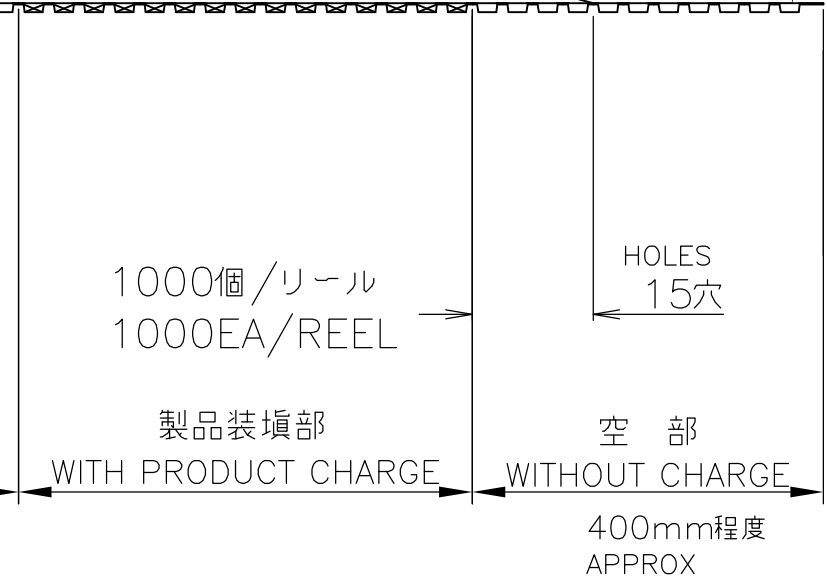


カバーテープリーダー部
 外周1巻
 WIDE COVER TAPE AROUND
 OUT PERIPHERY 1 TURN

剥離強度 0.1-1.3N MAX(300±10mm/min)
 PEELING STRENGTH
 剥離角度 165~180°
 PEELING ANGLE



引き出し方向
 TOP OF REEL

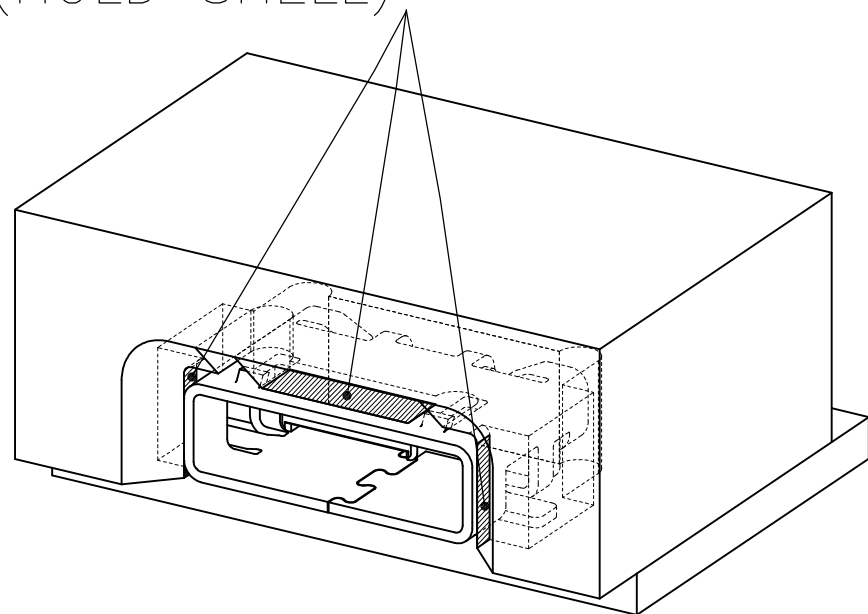


THIS DRAWING IS A CONTROLLED DOCUMENT.		DWN	TE Connectivity		
DIMENSIONS: 単位: 耗 MM		CHK	NAME 名称		
TOLERANCES UNLESS OTHERWISE SPECIFIED: 一般公差		APVD	MICRO USB RECEPTACLE STANDARD TYPE AB FLANGELESS		
0 PLC ±- 1 PLC ±- 2 PLC ±- 3 PLC ±- 4 PLC ±- ANGLES ±-		PRODUCT SPEC 製品規格	SIZE	CAGE CODE	DRAWING NO 番号
MATERIAL 材料		APPLICATION SPEC 取付適用規格	A3	00779	G-2134536
FINISH 仕上		WEIGHT	RESTRICTED TO		
CUSTOMER DRAWING			SCALE 尺度 NTS	SHEET 2 OF 3	REV A6

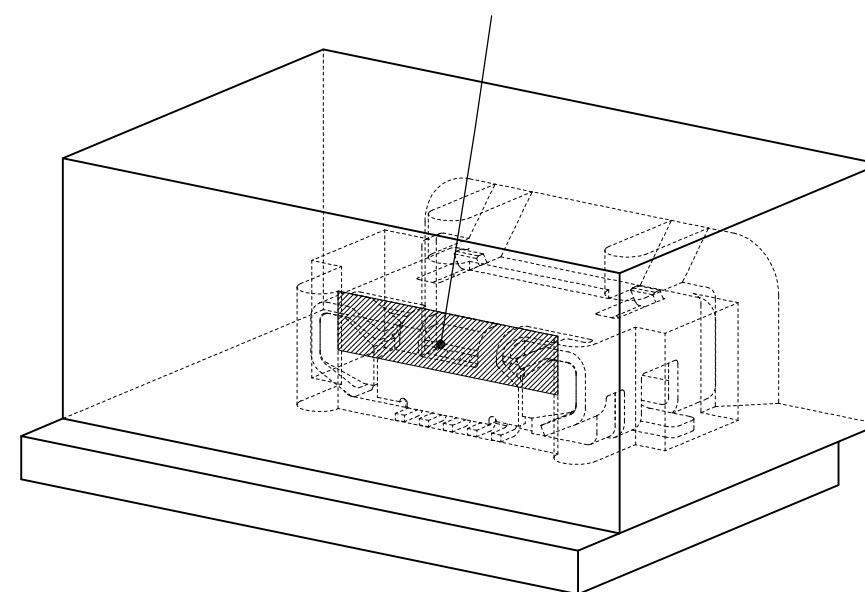
THIS DRAWING IS UNPUBLISHED. RELEASED FOR PUBLICATION NOV , 2011.
 © COPYRIGHT 2011 By Tyco Electronics Japan G.K. ALL RIGHTS RESERVED.

LOC	DIST	REVISIONS					
J	/	P	LTR	DESCRIPTION	DATE	DWN	APVD
		-		SEE SHEET 1	-	-	-

CONNECTOR INSERTION OPENING
(HOLD SHELL)

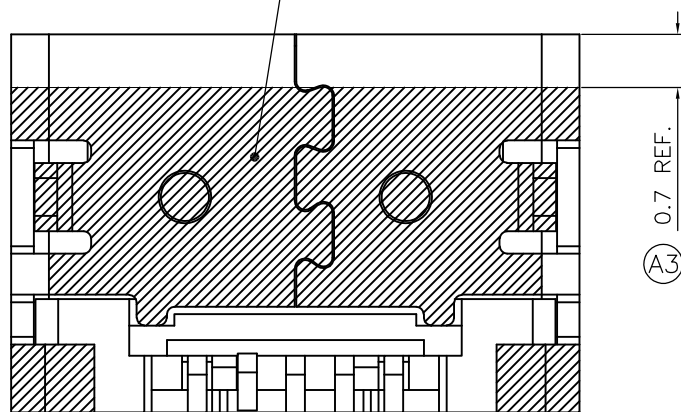


CONNECTOR BACK SIDE
(HOLD SHELL AND HOUSING)



GUIDE CASE FOR WRENCHING (REFERENCE)

SELECTIVE PLATING AREA (A3)
(Sn PLATING AREA)



THIS DRAWING IS A CONTROLLED DOCUMENT.		DWN	TE Connectivity		
DIMENSIONS: 単位: 耗 MM		CHK	NAME 名称		
TOLERANCES UNLESS OTHERWISE SPECIFIED: 一般公差		APVD	MICRO USB RECEPTACLE STANDARD TYPE AB FLANGELESS		
0 PLC ± - 1 PLC ± - 2 PLC ± - 3 PLC ± - 4 PLC ± - ANGLES ± -		PRODUCT SPEC 製品規格	SIZE	CAGE CODE	DRAWING NO 番号
MATERIAL 材料		APPLICATION SPEC 取付適用規格	A3	00779	C-2134536
FINISH 仕上		WEIGHT	RESTRICTED TO		
CUSTOMER DRAWING			SCALE 尺度	SHEET	REV
			NTS	3 OF 3	A6