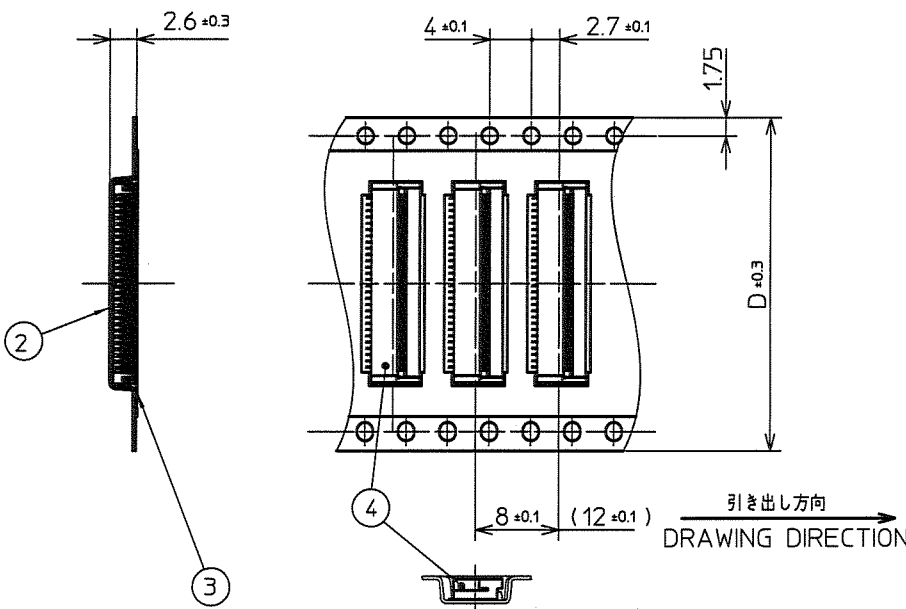


EMBOSS TAPE	REEL	COVER TAPE	DIMENSIONS	
			C	D
62789-1511__~2111__	KRM-E16	KEC 135	16.4 $^{+2}_{-0}$	16
62789-2711__~4511__	KRM-E24	KEC 215	24.4 $^{+2}_{-0}$	24
62789-5111__~5711__	KRM-E32	KEC 255	32.4 $^{+2}_{-0}$	32
62789-6711__	KRM-E44	KEC 375	44.4 $^{+2}_{-0}$	44

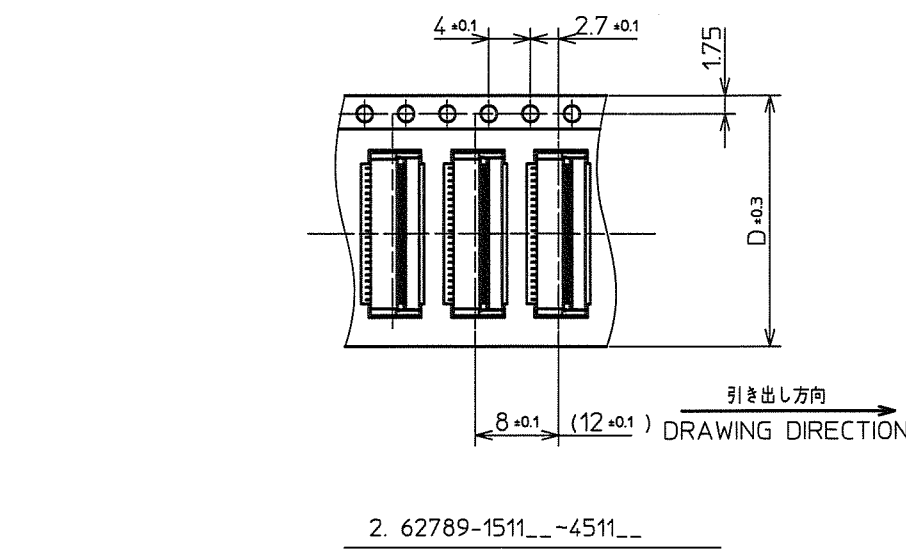
PT.NO.	PARTS NAME	PRODUCT NO.	MATERIAL	Q'TY	NOTE
1	REEL	_____	CARDBOARD	1	
2	EMBOSS TAPE	_____	PET	1	
3	COVER TAPE	_____	POLYESTER	_____	
4	CONNECTOR	62789-__11_	62789 SHEET2	3000 (2000)	

EMBOSS TAPE	Q'TY	REEL	DIMENSIONS	
			φ A	B
62789-__11_	3000 (2000)	KRM-E__	φ330	2 ±0.5

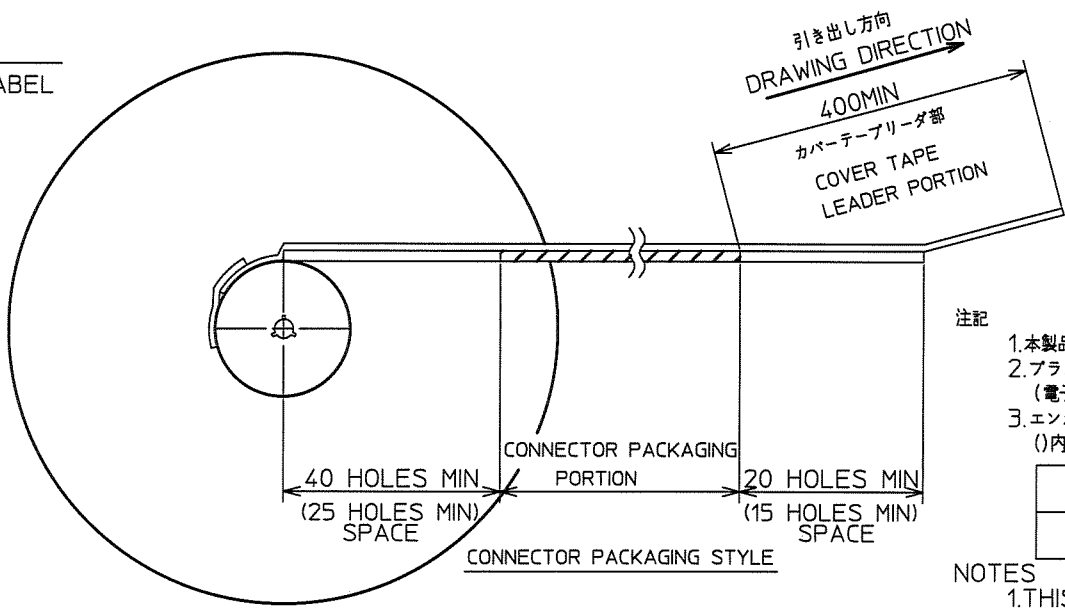
n : 極数
n : NO. OF CONTACTS



1. 62789-5111__~6711__



2. 62789-1511__~4511__



	SURFACE TREATMENT	EMBOSS PITCH	NOTE
62789-__110ALF	ALL GOLD PLATE	8mm	WITHOUT TAB
62789-__1111ALF		12mm	
62789-__110BLF	ALL GOLD PLATE	8mm	WITH TAB
62789-__1111BLF		12mm	
62789-__110CLF	SELECTIVE GOLD PLATE	8mm	
62789-__1111CLF		12mm	

注記

- 1.本製品は、自動実装(SMT)対応、FPC用コネクタのプラスチックテープ梱包品である。
- 2.プラスチック(エンボス)テープ及びリールの形状寸法は、JIS C 0806 (電子部品のテーピング(表面実装部品))に準ずる。
- 3.エンボスピッチ仕様
()内寸法は、12mmピッチ品に適用。

62789-__11_0_	8mm Pitch
62789-__11_1_	12mm Pitch

NOTES

- 1.THIS IS PLASTIC TAPE PACKAGED CONNECTOR USED FOR FPC AND COPES WITH AUTOMATIC MOUNTING (SMT)
- 2.SEE JIS 0806 (PACKING OF ELECTRONIC COMPONENTS ON CONTINUOUS TAPES (SURFACE MOUNTING DEVICES))
- 3.EMBOSS PITCH SPECIFICATIONS
FOR 12mm PITCH EMBOSS TAPE USE DIMENSIONS SHOWN WITHIN BRACKET.

62789-__11_0_	8mm Pitch
62789-__11_1_	12mm Pitch



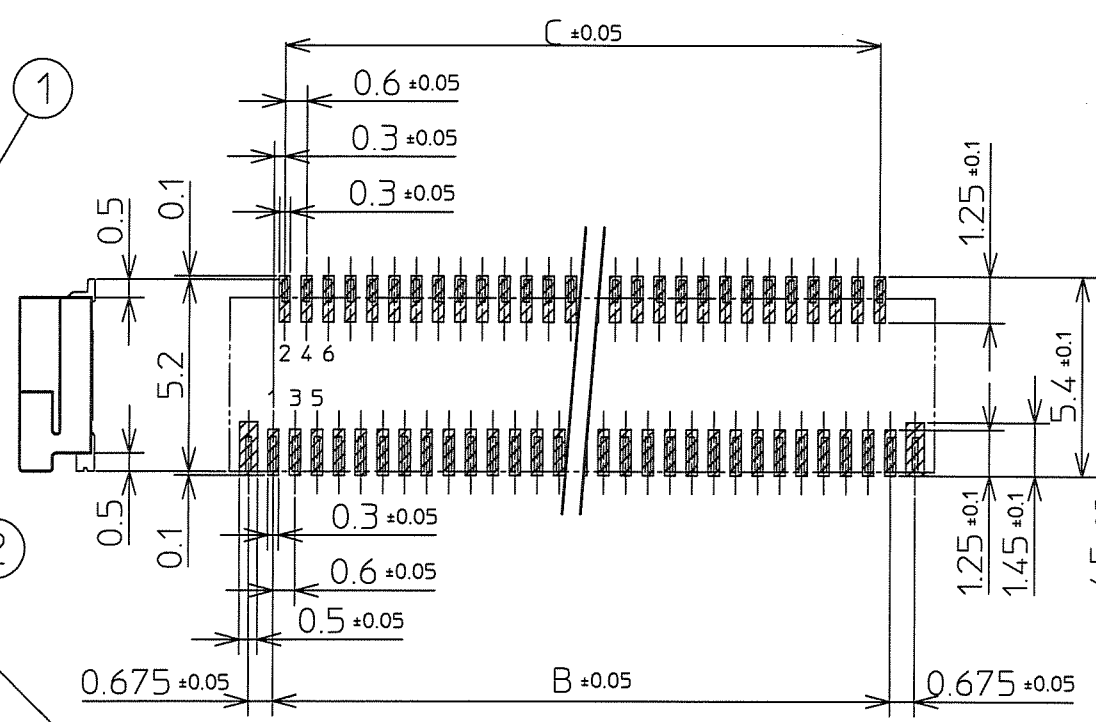
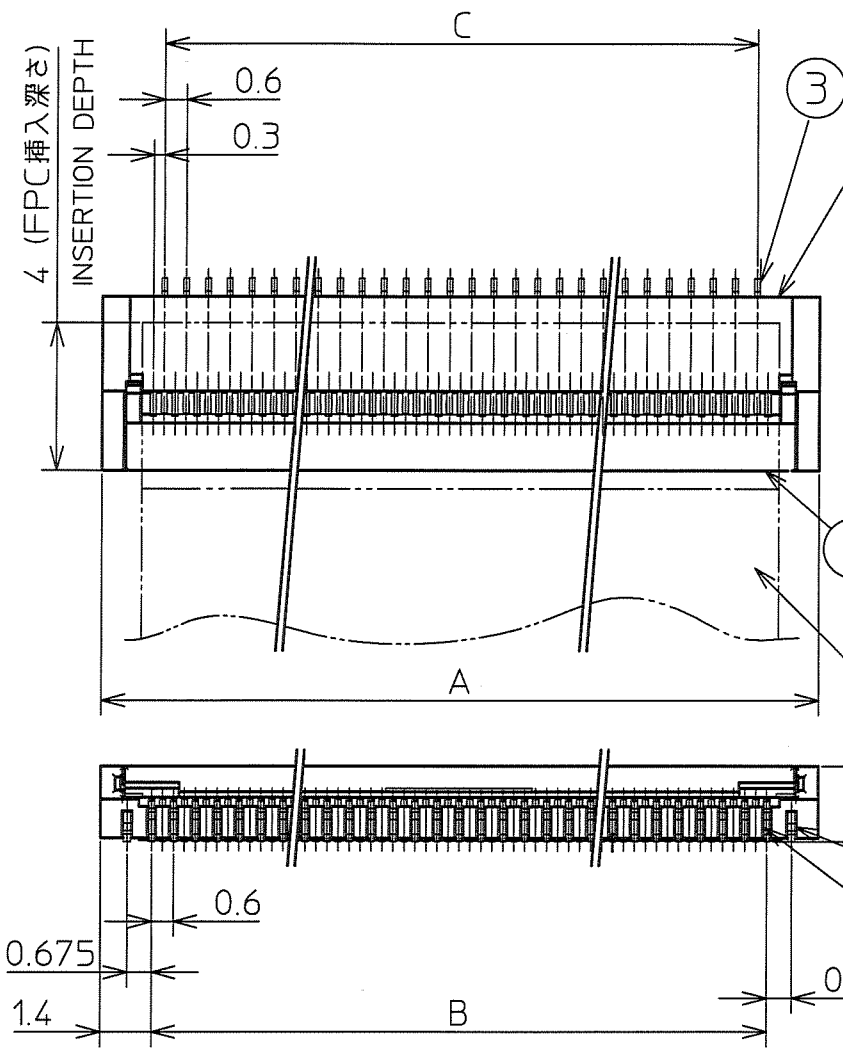
Copyright FCI

mat'l. code		surface		tolerance		projection		product family		CODE	
		ISO 1302		ISO 406 ISO 1101		mm		58UF		JP	
lir	description	ecn no	dr	date	angles	linear	mm	title			
E	REVISED	J10437	K.O	8/AUG/01				EMBOSS TAPE PACKAGE			
F	REVISED	J10490	K.O	17/SEP/01				sheet 1 of 2 size			
G	REVISED	J03-0071	K.O	12/Feb/03				62789			
H	REVISED	J06-0028	H.T	20/Jan/06	dr	M.Yamashita	2009-8-19	A2			
J	REVISED	J06-0460	H.T	9/Nov/06	engr	M.Yamashita	2009-8-19	type Product Customer Drawing			
K	Added BLF type	J07-0518	H.T	2007-10-18	chr	S.Watanabe	2009-8-19	Rev. L			
L	Added CLF type	J09-0308	M.Y	2009-8-19	appd		2009-8-20				
sheet	revision	L	L								
index	sheet	1	2								

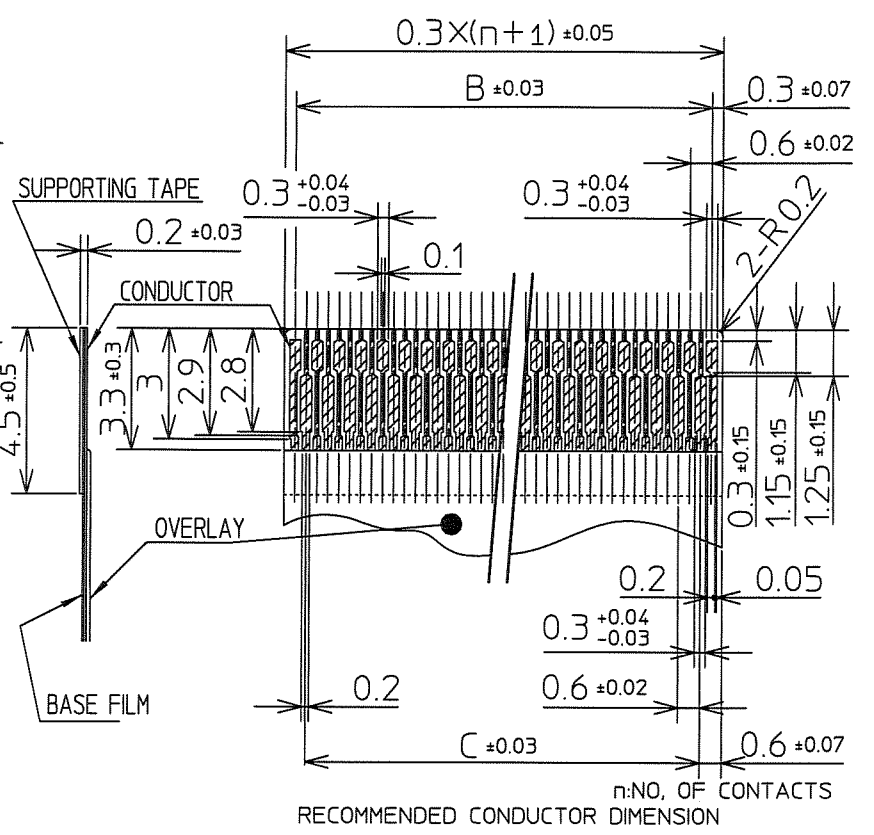


FCIconnect.com

Copyright FCI



推奨基板パターン寸法
(部品搭載側)
RECOMMENDED P.C BOARD LAYOUT
(COMPONENT SIDE)



RECOMMENDED CONDUCTOR DIMENSION

PRODUCT No.	(NOTES.2)	NO. OF CONTACTS	A	B	C
62789-1511_	*	15	7.0	4.2	3.6
62789-2111_	*	21	8.8	6.0	5.4
62789-2711_	*	27	10.6	7.8	7.2
62789-3311_	*	33	12.4	9.6	9.0
62789-3911_	*	39	14.2	11.4	10.8
62789-4511_		45	16.0	13.2	12.6
62789-5111_		51	17.8	15.0	14.4
62789-5711_		57	19.6	16.8	16.2
62789-6711_		67	22.6	19.8	19.2

PARTS NAME	MATERIAL
1 HOUSING	THERMAL PLASTIC RESIN
2 ACTUATOR	THERMAL PLASTIC RESIN
3 CONTACT A	COPPER ALLOY
4 CONTACT B	COPPER ALLOY
5 TAB	COPPER ALLOY

NOTES.
1. PLATE SPECIFICATIONS.

	SURFACE TREATMENT	NOTE
62789-__111ALF	ALL GOLD OVER NICKEL PLATE	WITHOUT TAB
62789-__111BLF	ALL GOLD OVER NICKEL PLATE	WITH TAB (TIN OVER NICKEL PLATE)
62789-__111CLF	SELECTIVE GOLD OVER NIKEL PLATE (CONTACT AREA: GOLD PLATING) (TERMINAL AREA: TIN PLATING)	

2. PLEASE CONSULT US IN CASE OF USING PARTS WITH *MARK.
3. CONSULT US FOR DETAILS OF FPC.
4. THIS PRODUCT MEETS EUROPEAN UNION DIRECTIVES AND OTHER COUNTRY REGULATION AS DESCRIBED IN GS-22-008.
5. THE HOUSING WILL WITHSTAND EXPOSURE TO 260°C PEAK TEMPERATURE FOR 10 SECONDS IN A REFLOW SOLDERING OVEN.

mat'l. code				surface ISO 1302 ✓		tolerance ISO 406 ISO 1101		projection		product family 58UF		CODE JP	
litr description				ecn no		dr date		tolerances unless otherwise specified		title		CONNECTION ASS'Y	
				angles		linear ±0.3		mm		scale X			
				dr M.Yamashita		2009-8-19				dwg no		sheet 2 of	
				enr M.Yamashita		2009-8-19				62789		size	
				chr S.Watanabe		2009-8-19						A3	
				appd S. Okada		2009-8-20						type Product Customer Drawing	
sheet index		revision sheet										Rev. L	