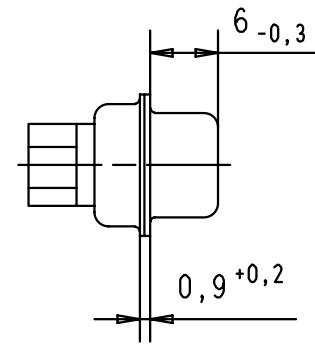
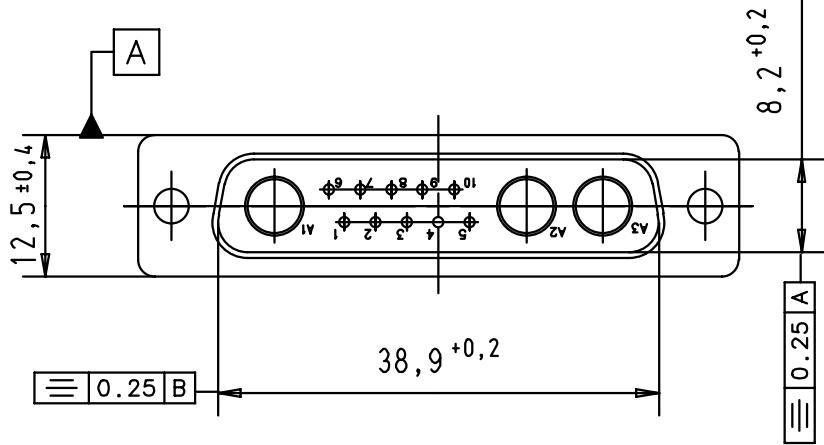
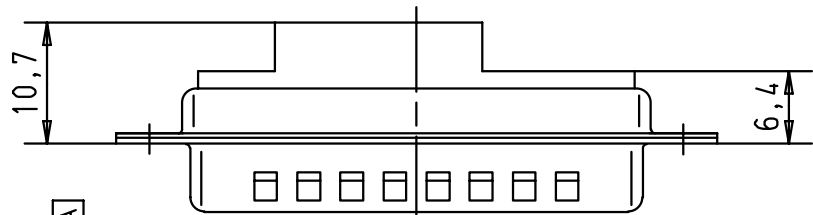


5 4 3 2 1

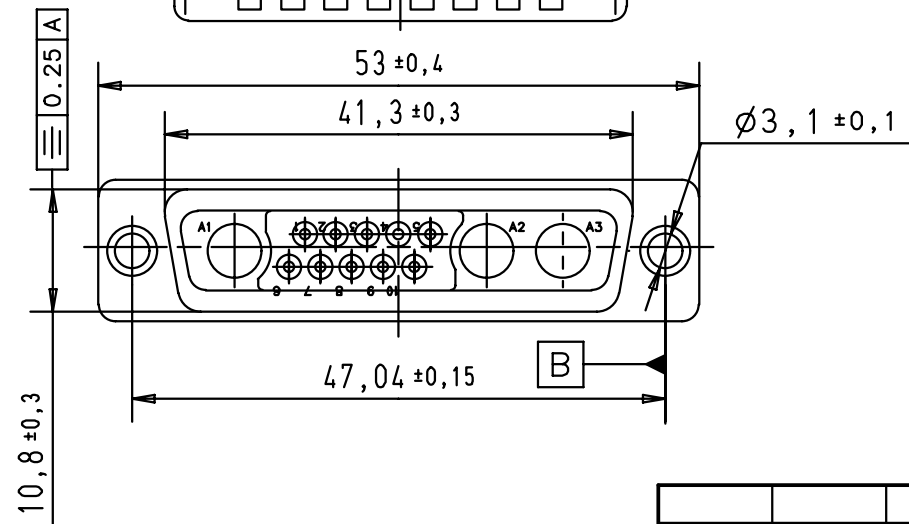
D



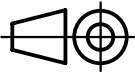

C



B



A

				Det.	Name	 All Dim. in mm Orig. Size DIN A 4	D-Sub , male, straight 13W3, without contact, Tin plated shell with dimples	Maßstab/ Scale 1.5/1
			Detail.	12/12/01	S.H.			
			Insp.					
			Stand.					
29741	12/12/01	S.H.	HARTING ELEKTRONIK				TB 09 69 312 0133	Blatt/ Page /
Mod.	Det.	Name	F-95972 Paris					