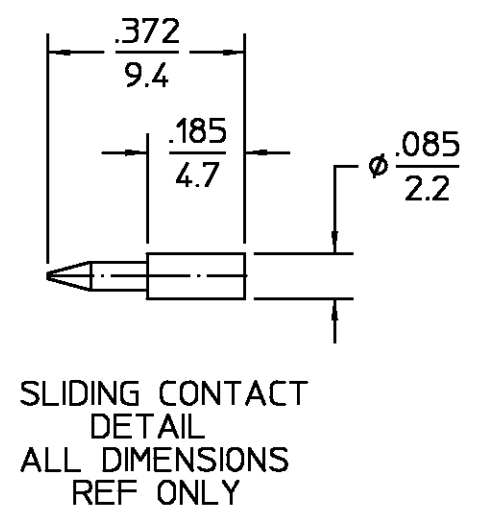


| REVISIONS | | | |
|-----------|---------------------|---------|---------------------|
| REV | DESCRIPTION | DATE | APPROVED |
| 030 | RELEASED | 8/28/97 | JANUAR |
| B | PER EC 0U20-0615-00 | 20SEP01 | C. Hoang 20SEP01 |



| ELECTRICAL | MECHANICAL | ENVIRONMENTAL |
|---|--|--|
| Nominal Impedance (Ohms) <u>50</u> | Interface Dimensions MIL-STD-348A, Fig. 313.2 | Temperature Rating <u>-65°C - +125°C</u> |
| Frequency Range (GHz) <u>DC to 1</u> | Recommended Mating Torque <u>N/A</u> | Vibration MIL-STD-202, Method 204, Condition B. |
| Volt Rating (VRMS MAX) @ Sea Level <u>500</u> | Mating Characteristics: Insertion (MAX Lbs) <u>2.0</u> | Shock MIL-STD-202, Method 213, Condition I. |
| VSWR <u>N/A</u> | Withdrawal (MIN Oz) <u>2.0</u> | Thermal Shock MIL-STD-202, Method 213, Condition B Except High Temp Shall Be <u>+115°C</u> |
| Insertion Loss (dB MAX) <u>N/A</u> | Force to Engage and Disengage (In-Lbs MAX) <u>2.0</u> | Moisture Resistance MIL-STD-202, Method 106, Except Vibration Shall Be Omitted |
| RF Leakage (dB MIN) <u>N/A</u> | Center Contact Captivation Axial (Lbs) <u>6.0</u> | Corrosion - MIL-STD-202, Method 101, Condition B, 5% salt spray |
| Corona, 70,000 Ft (VRMS MIN) <u>375</u> | Radial (In-Oz) <u>4.0</u> | |
| Dielectric Withstanding Voltage (VRMS MIN) @ Sea Level <u>1,500</u> | Cable Retention Axial Force (Lbs) <u>N/A</u> | |
| Contact Resistance (Milliohms MAX) Center Contact <u>15</u> | Torque (In-Oz) <u>N/A</u> | |
| Outer Contact <u>0.2</u> | Weight (Grams) <u>TBD</u> | |
| Cable to Housing <u>N/A</u> | | |
| RF High Potential @ Sea Level (VRMS MIN @ 5 MHz) <u>1,000</u> | | |
| I.R.(Megohms MIN) <u>5,000</u> | | |

| COMPONENT | MATERIAL | FINISH |
|----------------|---|----------------------------|
| HOUSING | STAINLESS STEEL PER ASTM-A484 AND ASTM-A582, TYPE 303 | PASSIVATE PER QQ-P-35 |
| DIELECTRIC | PTFE FLUOROCARBON PER ASTM-D-1457 | N/A |
| CENTER CONTACT | BRASS PER ASTM-B-16, HALF HARD | GOLD PLATE PER MIL-G-45204 |
| "O" RING | ETHYLENE PROPYLENE PER ASTM D2000 | N/A |

| | | |
|--|---|--|
| UNLESS OTHERWISE SPECIFIED DIMENSIONS ARE IN INCHES TOLERANCE ON GEN. TOL. ±.005 ANGLES ± 1° | DRAWN BY <u>D. P. Melillo</u> DATE <u>5/16/97</u> | AMP Incorporated 140 Fourth Avenue Waltham, MA 02451-7599 |
| | CHECKED BY _____ | |
| These drawings and specifications are the property of M/A-COM incorporated and shall not be reproduced or copied or used in whole or in part as the basis for the manufacture or sale of item(s) without written permission. | APP'D BY <u>JANUAR</u> 8/28/97 | TITLE <u>TNC 4 HOLE FLANGE MOUNT JACK RECEPTACLE WITH SLIDING TURRET CONTACT</u> |
| | USE ASSY PROCEDURE | |
| | NO. AP. <u>N/A</u> | SIZE <u>B</u> CODE IDENT NO. <u>26805</u> 3152-5340-02 REV <u>030</u> |
| | SCALE <u>3 : 1</u> | SHEET 1 OF 1 |