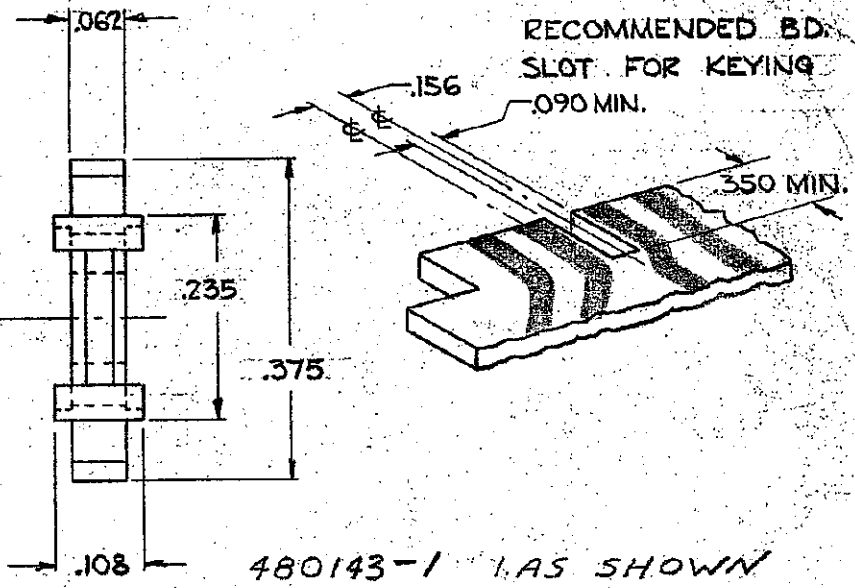
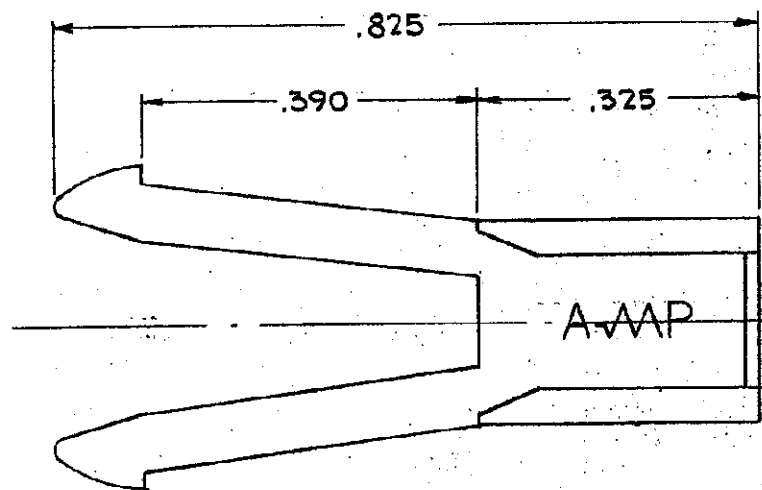


© 1961 BY AMP INCORPORATED. ALL RIGHTS RESERVED. AMP PRODUCTS COVERED BY PATENTS AND/OR PATENTS PENDING. APPROVED PER GOVT CONTRACT NO.

REVISIONS			
SYM	DESCRIPTION	DATE	APPD
D	REDRAWN W/O CHANGE PER Y-427	05-18-66	
E	REV PER EC D320-349-97	20 MAR 97	NS



AMP INFO	
LOC	PRINT DIST
FT E	22

UNLESS OTHERWISE SPECIFIED		
DIMENSIONS ARE IN INCHES		
TOLERANCES ON		
FRACTIONS	DECIMALS	ANGLES
± #	± .005	± #
MATERIAL		
NYLON ZYTEL 101		
HEAT TREAT		
H		
FINISH		
H		

SIGNATURE	DATE
DR <i>D. Barr</i>	5-18-66
CHK <i>S.S. Heide</i>	5/25/66
DSGN ENGR	
APPD <i>J. Kaufman</i>	5/31/66
<i>R. Holley Day</i>	5/31/66
DSGN APPD	
OTHER APPD	

AMP AMP INCORPORATED HARRISBURG, PENNSYLVANIA

NAME: POLARIZING KEY

CODE IDENT NO	SIZE	NUMBER
	A	480143

SCALE 5:1 WT CALC ACTUAL SHEET 1 OF 1

AMP-1748-1

CUSTOMER DRAWING