

MATERIALS AND FINISHES

BODY: BRASS
PLATED TRI-M3

CONTACT: PHOSPHOR BRONZE
PLATED SILVER

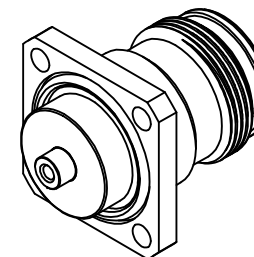
OUTER CONDUCTOR: PHOSPHOR BRONZE
PLATED TRI-M3

INSULATOR: TEFLON

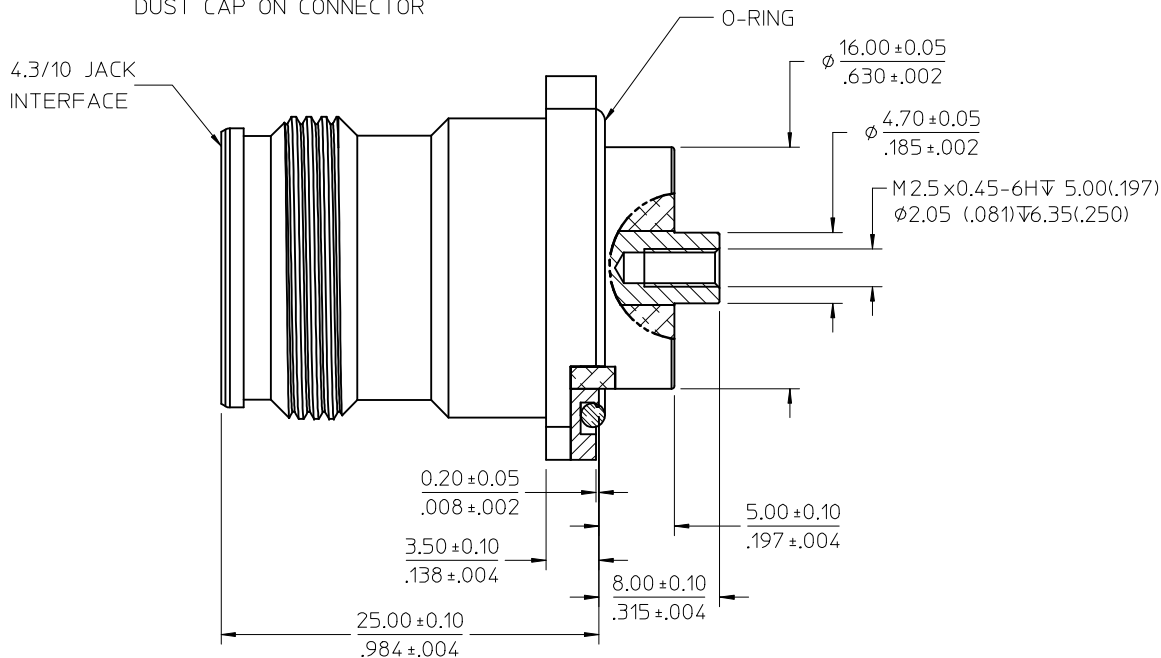
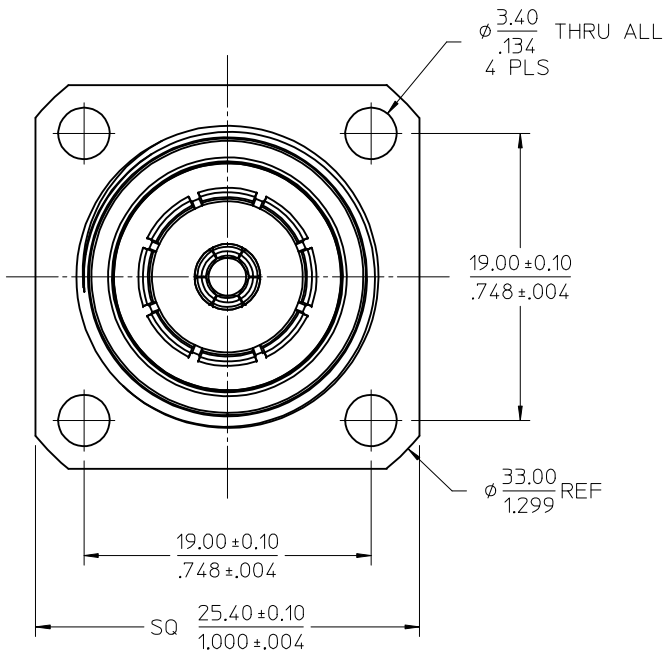
O-RING: SILICONE RUBBER

PERFORMANCE REQUIREMENTS:

FREQUENCY RANGE: DC-6GHZ
 IMPEDANCE: 50 OHM
 WITHSTAND VOLTAGE(AC): 2500V @0.5mA
 RETURN LOSS: ≤-26.5dB @DC~3GHz,
 ≤-22dB @3~6GHz
 PIM3(2x20W): ≤-165dBC @700/900/1800/2600 MHZ
 WATERPROOF(MATED): IP67
 ENVIRONMENTAL:
 CONNECTOR SHALL WITHSTAND 96 HOURS
 NEUTRAL SALT-FOG TEST AS PER GR-487-CORE



NOTE: PRODUCT SHIPPED WITH POLYETHYLENE
DUST CAP ON CONNECTOR



73162-6141	BY TRAY
73162-6140	BLANK
PART NO.	PACKAGING

PS-89675-2100	PRODUCT SPECIFICATION
IEC61169-54	INTERFACE
SPECIFICATION	DESCRIPTION

CHG: PACKAGING CHANGE PER PDRJ151801 EC NO: URF2016-0748 DRAWN: LCHEN03 2016/05/04 CHKD: YHUANG11 2016/05/04 APPR: MYE08 2016/05/05	QUALITY SYMBOLS	GENERAL TOLERANCES (UNLESS SPECIFIED)	DIMENSION STYLE	SCALE	DESIGN UNITS	THIRD ANGLE PROJECTION
	DESCRIPTION	mm INCH	MM/IN		METRIC	
REV		4 PLACES ± --- ± ---	DRAWN BY DATE	TITLE	4.3-10 JACK, 50 OHM 4 HOLES FLANGE 4.3-10-F	
		3 PLACES ± --- ± ---	LCHEN03 2015/11/18			
		2 PLACES ± --- ± ---	CHECKED BY DATE		molex	
		1 PLACE ± --- ± ---	MXU11 2016/01/18			
		0 PLACE ± --- ± ---	APPROVED BY DATE		SD-73162-614	
			MYE08 2016/01/21			
		ANGULAR ± 2 °	MATERIAL NO.	DOCUMENT NO.	SHEET NO.	
		DRAFT WHERE APPLICABLE MUST REMAIN WITHIN DIMENSIONS	SEE TABLE		1 OF 1	

DRAFT WHERE APPLICABLE MUST REMAIN WITHIN DIMENSIONS		THIS DRAWING CONTAINS INFORMATION THAT IS PROPRIETARY TO MOLEX INCORPORATED AND SHOULD NOT BE USED WITHOUT WRITTEN PERMISSION	
--	--	---	--