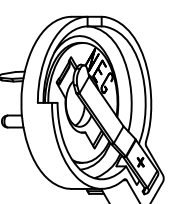
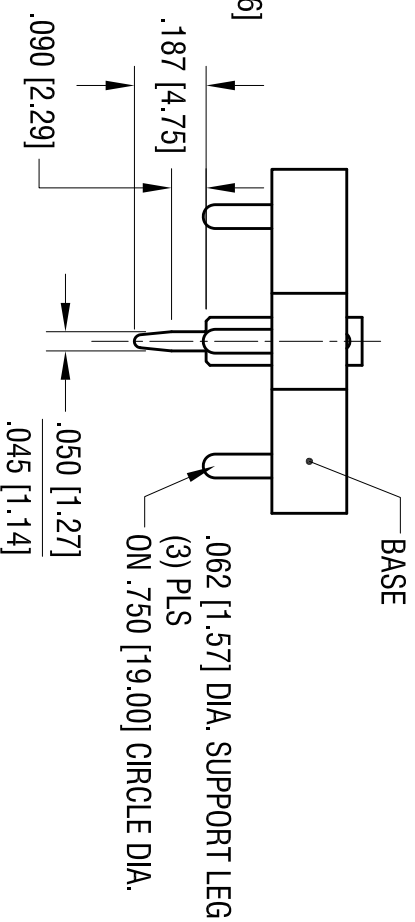
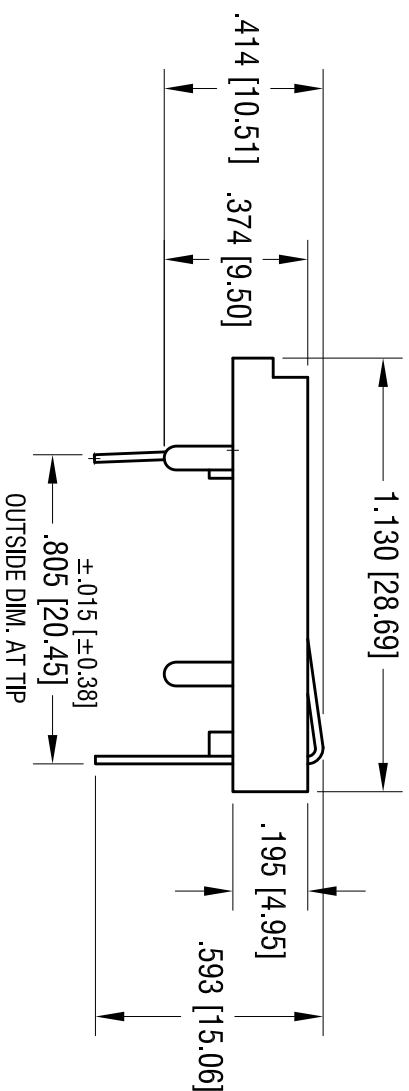
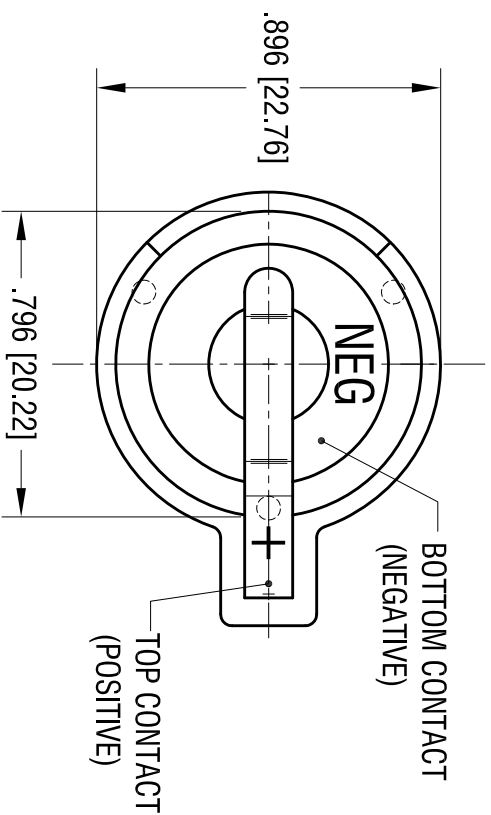
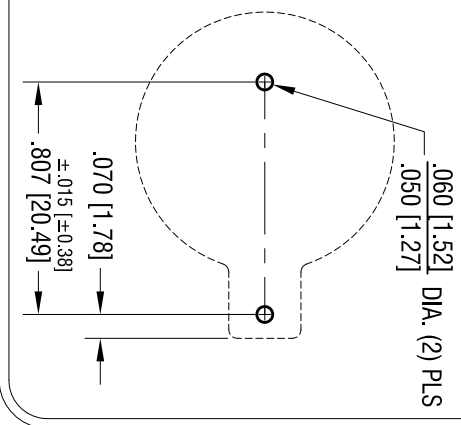


**MOUNTING HOLES**



**ACTUAL SIZE**

- NOTES:**
1. BASE:  
MAT'L - PBT (UL 94V-0), COLOR BLACK
  2. CONTACTS (TOP AND BOTTOM):  
MAT'L - .020 [0.50] THK SPRING STEEL  
FINISH: TIN NICKEL PLATE

DATE

11.2.11

DESCRIPTION

CHANGE AS PER ECN 11-144

REV.

A

**KEYSTONE ELECTRONICS CORP.**

www.keystec.com • ASTORIA, N.Y. 11105-2017 • Tel (718) 956-8900

PART NAME

COIN CELL PC BATTERY HOLDER

MATERIAL

AS NOTED

FINISH

AS NOTED

DRN BY

BOONE DATE 3.4.05

App'D

LN SCALE 2X

TOLERANCES

INCH DECIMAL ±.010 [±0.25] ANGULAR ± 1°

CODE

C

DWG NO.

101

THIS DOCUMENT IS THE PROPERTY OF KEYSTONE ELECTRONICS CORP. AND SHALL NOT BE REPRODUCED, DISTRIBUTED OR USED AS A BASIS FOR MANUFACTURE WITHOUT PRIOR WRITTEN PERMISSION FROM KEYSTONE ELECTRONICS CORP.