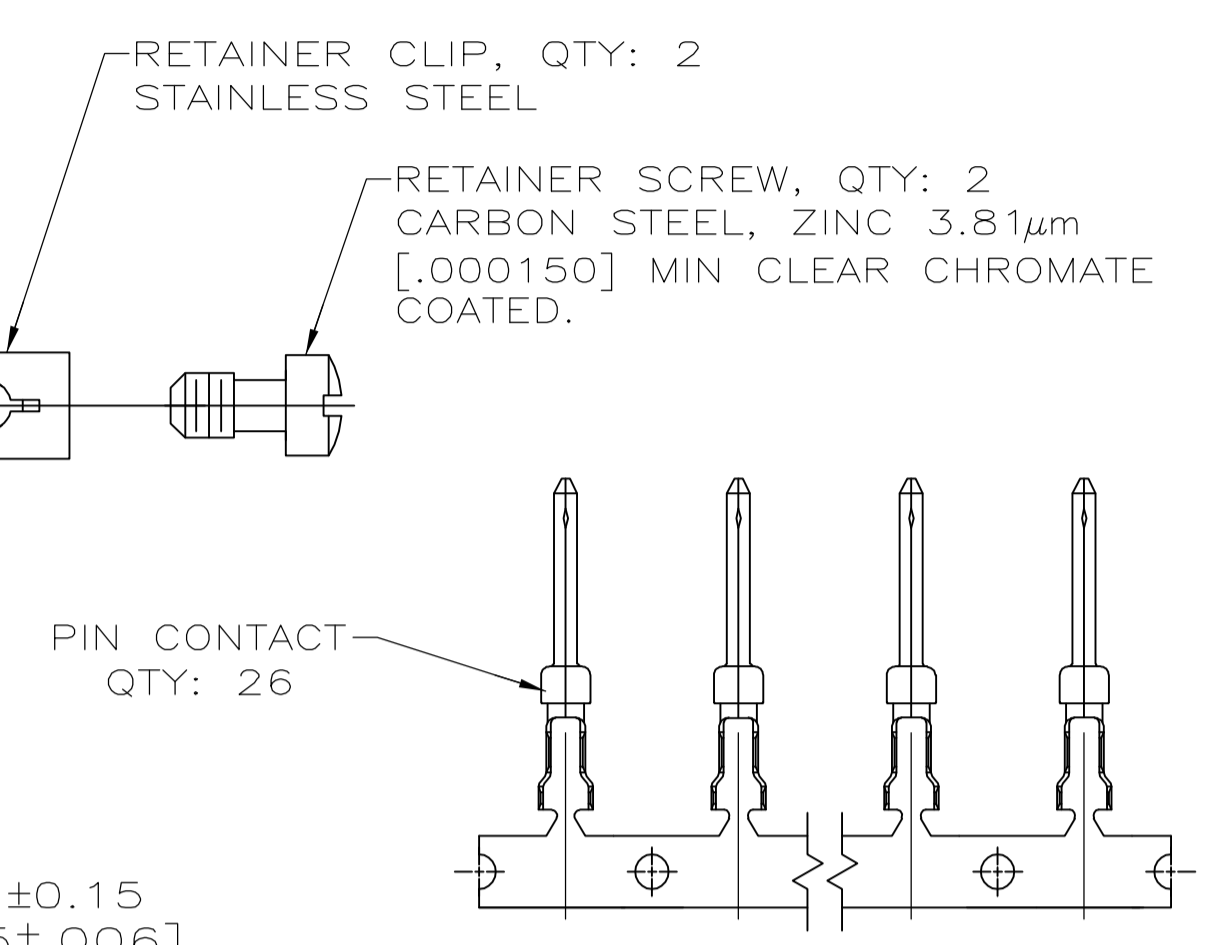
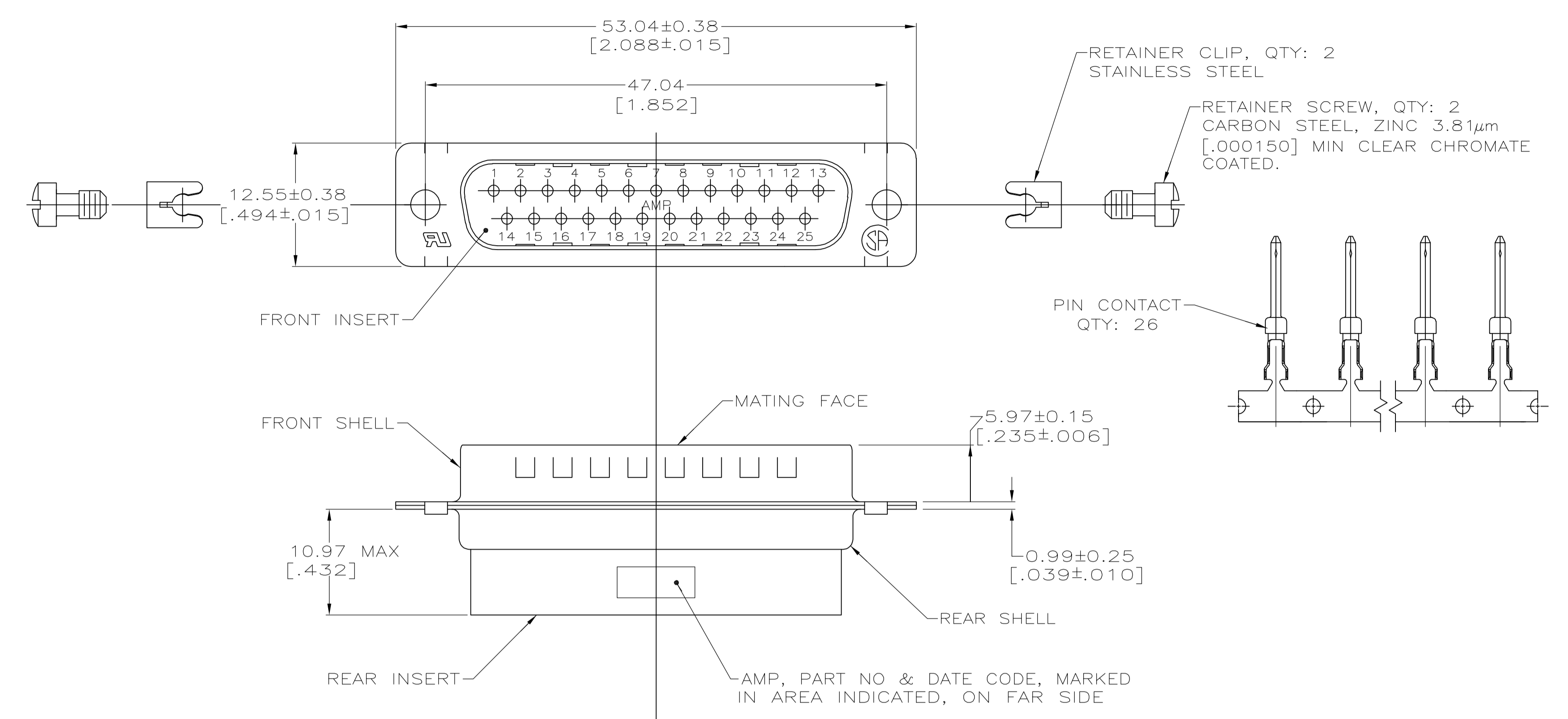
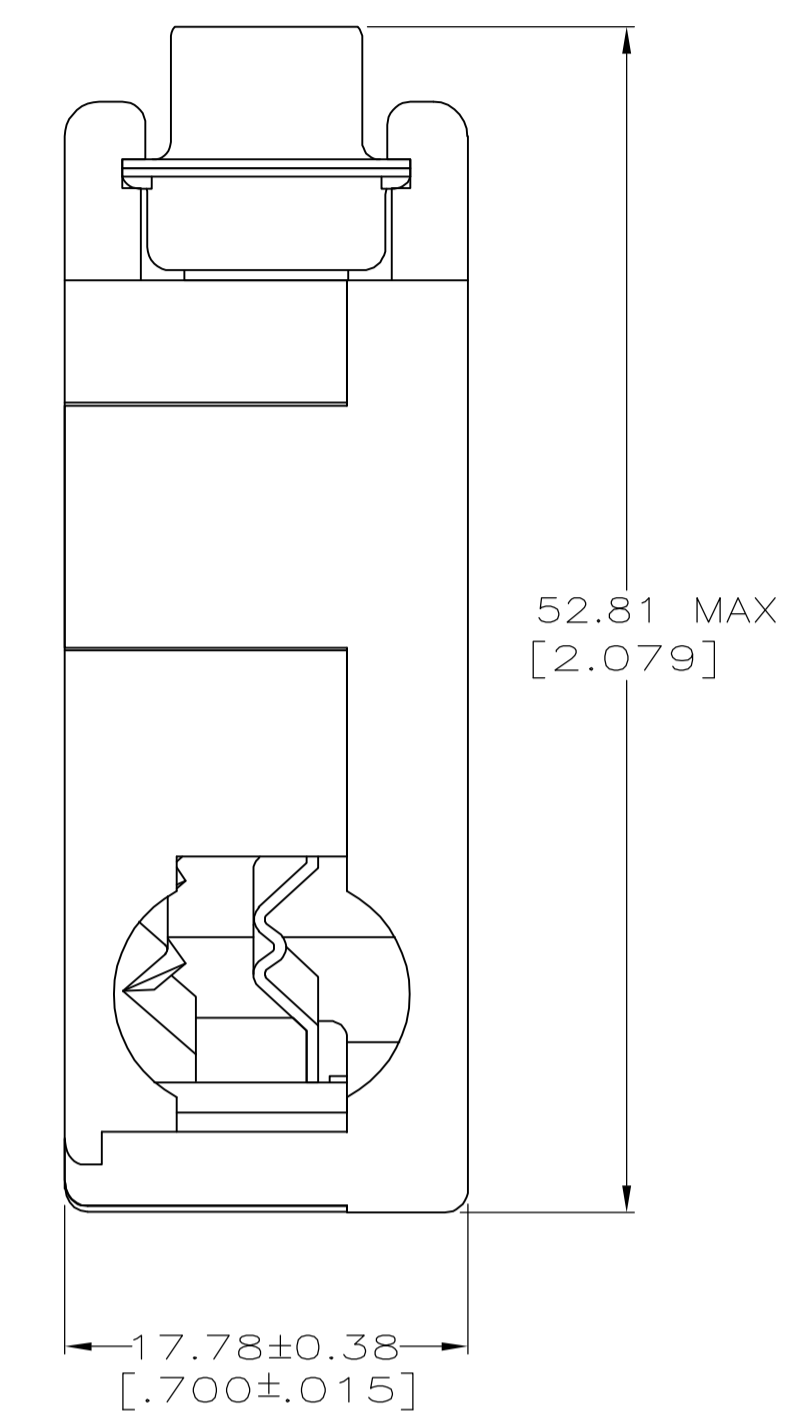


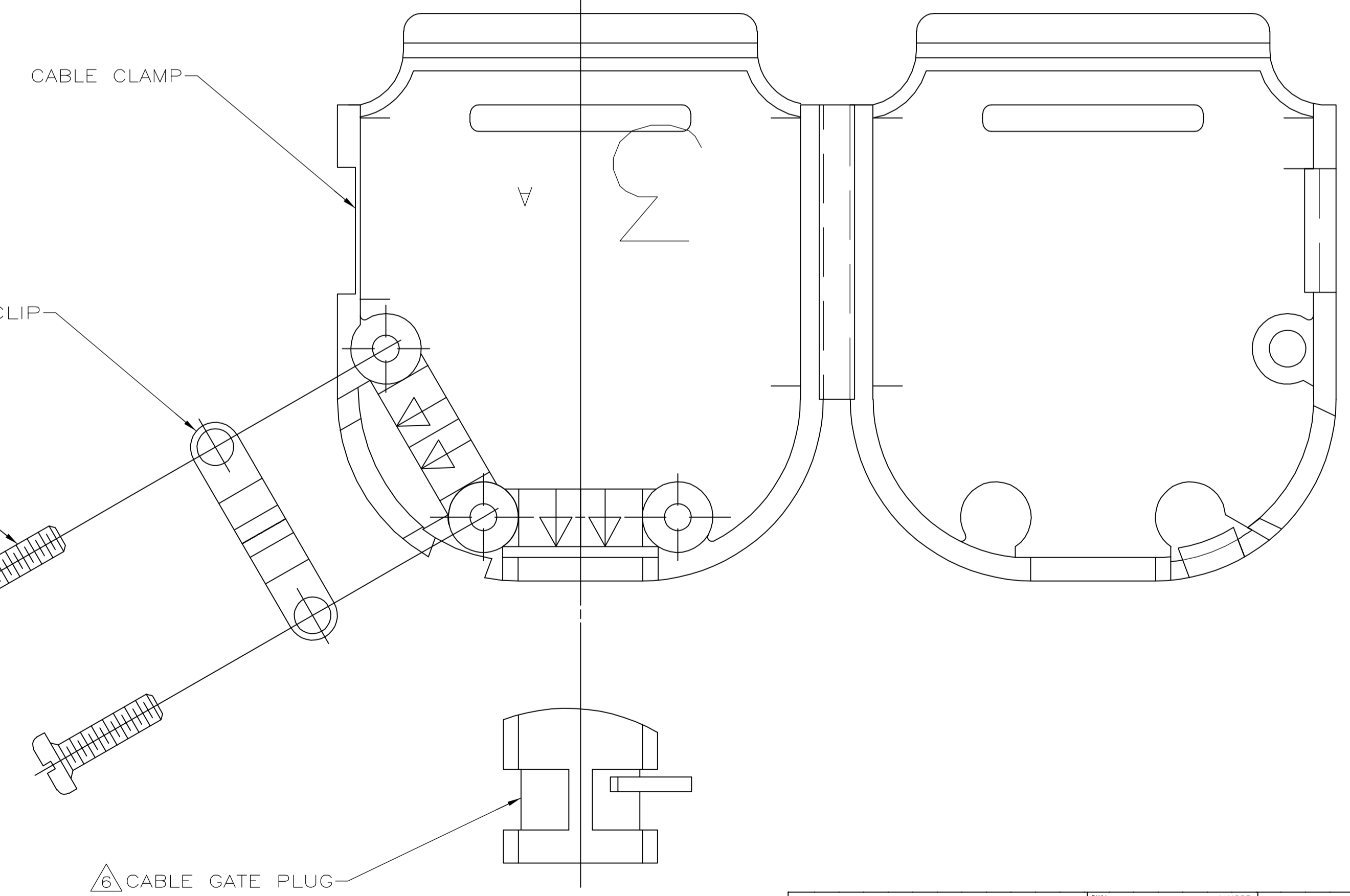
ASSEMBLED VIEW



1. CONTACTS ACCEPT 20-24 AWG RANGE.
2. INSERTS: NYLON, GLASS FILLED, UL 94V-0 RATED, BLACK.
3. CABLE CLAMPS: POLYPROPYLENE, BLACK
4. CONTACTS: BRASS.
5. SHELLS: CARBON STEEL.
6. CABLE GATE PLUG TO BE PLACED IN CABLE EXIT NOT BEING USED.
7. CONTACTS: GOLD FLASH FOR A LENGTH OF 3.81[.150] MIN FROM MATING END, 2.54µm[.000100] MIN TIN ON OPPOSITE END FOR A LENGTH OF 4.06 [.160] MIN FROM END OF INSULATION BARREL, BOTH OVER 0.76µm[.000030] MIN NICKEL ON ENTIRE CONTACT.
8. SHELLS: 5.08µm[.000200] MIN TIN OVER 2.54µm[.000100] MIN COPPER.
9. STRAIN RELIEF CLIP CAN BE REVERSED FOR PROPER INSTALLATION, DEPENDING ON SIZE OF CABLE DIAMETER.
10. STRAIN RELIEF CLIP AND SELF TAPPING SCREWS MAY BE USED AT EITHER CABLE EXIT.
11. CABLE DIAMETER RANGE = 4.58-11.68 [.180-.460].

9/10 STRAIN RELIEF CLIP
 STAINLESS STEEL
 PASSIVATED

10 SELF TAPPING SCREW, QTY: 2
 CARBON STEEL, ZINC PLATED,
 CLEAR CHROMATE COATED.



749808-7
 PART NO

THIS DRAWING IS A CONTROLLED DOCUMENT.		DIN J. REITZEL 1AUG03		Tyco Electronics Corporation Harrisburg, PA 17105-3608	
DIMENSIONS: mm [INCHES]		CHK S. BOLASH 1AUG03		APVD M. WAMSLEY 1AUG03	NAME
TOLERANCES UNLESS OTHERWISE SPECIFIED:		0 PLC ± -	PRODUCT SPEC	108-40005	RESTRICTED TO
		1 PLC ± -	APPLICATION SPEC	114-40030	SIZE
		2 PLC ± ± 0.13[.005]	WEIGHT	A1 00779	SCALE
		3 PLC ± ± -	CUSTOMER DRAWING	749808-7	2:1
		4 PLC ± ± -			SHEET 1 OF 1
		ANGLES ± ± -			REV A