

THIS DRAWING IS UNPUBLISHED.

RELEASED FOR PUBLICATION

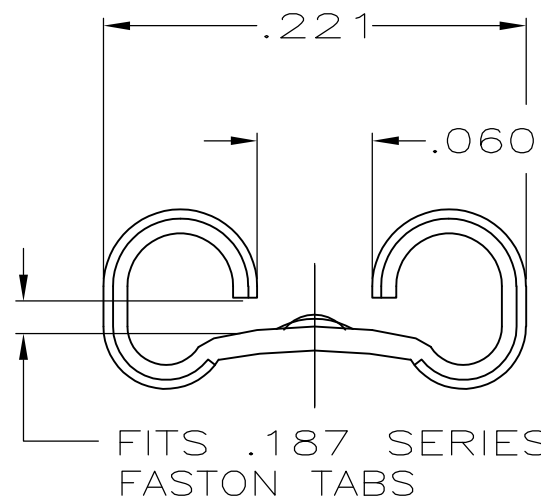
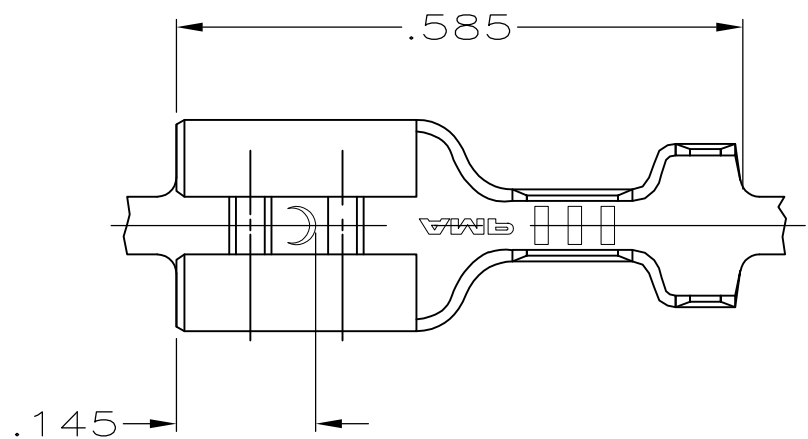
ALL RIGHTS RESERVED.

© COPYRIGHT - By -

LOC AF DIST 50

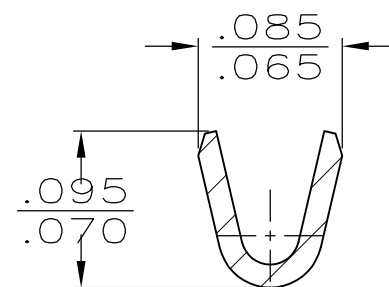
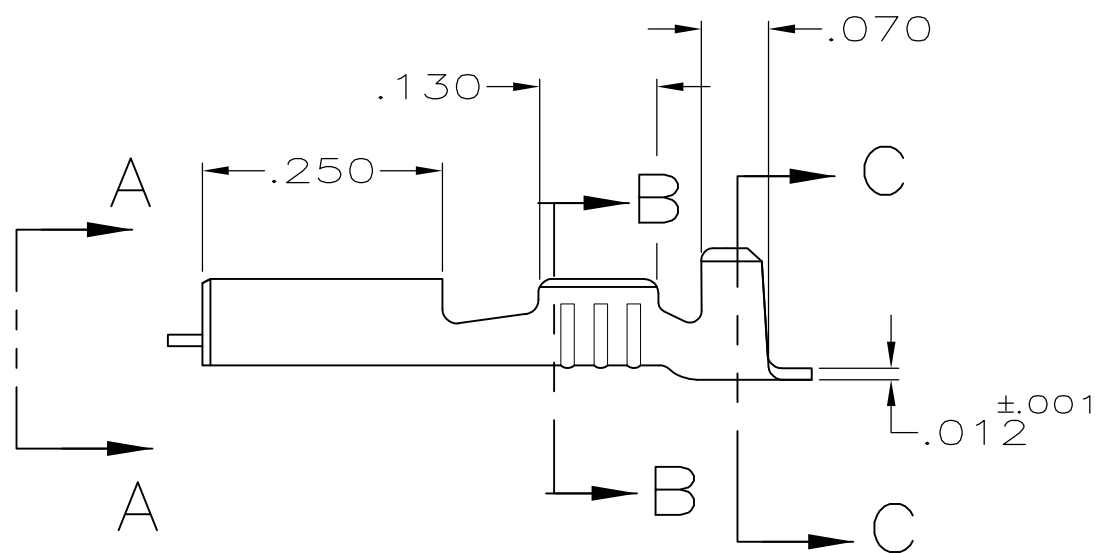
REVISIONS

P	LTR	DESCRIPTION	DATE	DWN	APVD
G		REVISED PER ECR-12-013459	27NOV2012	KH	PD

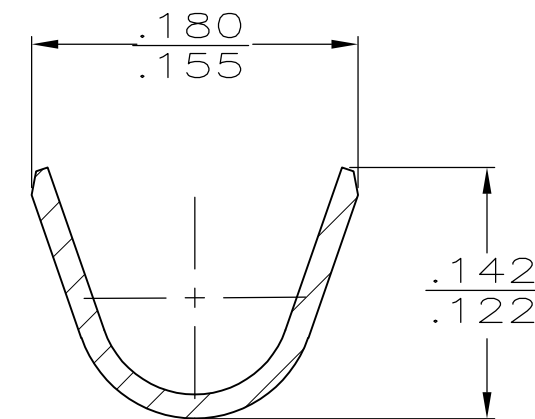


VIEW A-A
SCALE 8:1

1 CONTINUOUS STRIP ON REELS.




SECTION B-B
SCALE 10:1



SECTION C-C
SCALE 10:1

.060-.110 DIA	#24-20 AWG	.020	-	62138-2
			TIN	62138-1
INSULATION RANGE	WIRE SIZE	MATING TAB THK ±.001	FINISH	PART NO.

THIS DRAWING IS A CONTROLLED DOCUMENT.		DWN JR RUTH 8/15/91	 TE Connectivity RECEPTACLE, FASTON, .187 SERIES				
DIMENSIONS: INCHES		CHK MS FEHER 8/15/91				NAME	
TOLERANCES UNLESS OTHERWISE SPECIFIED:		APVD C MEYERS 8/15/91				PRODUCT SPEC	
0 PLC ± - 1 PLC ± - 2 PLC ± - 3 PLC ± .015 4 PLC ± - ANGLES ± -		APPLICATION SPEC					
MATERIAL BRASS	FINISH SEE TABLE	WEIGHT -	SIZE A3	CAGE CODE 00779	DRAWING NO C-62138	RESTRICTED TO -	
CUSTOMER DRAWING			SCALE 5:1	SHEET 1 OF 1	REV G		