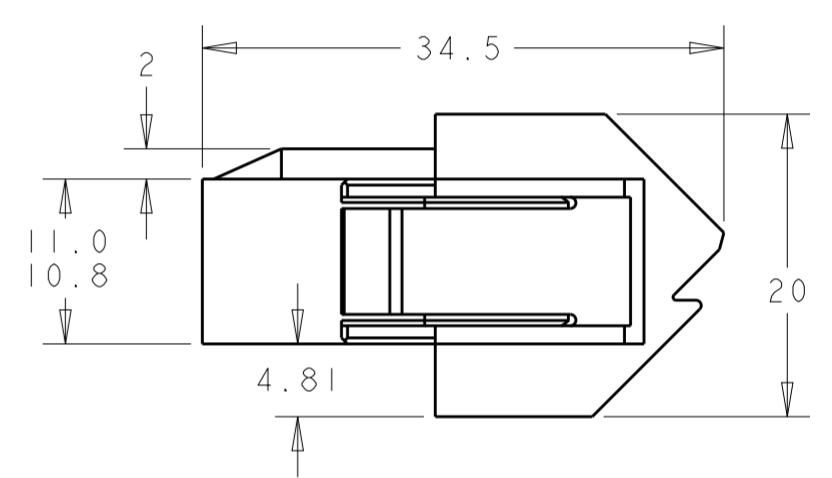
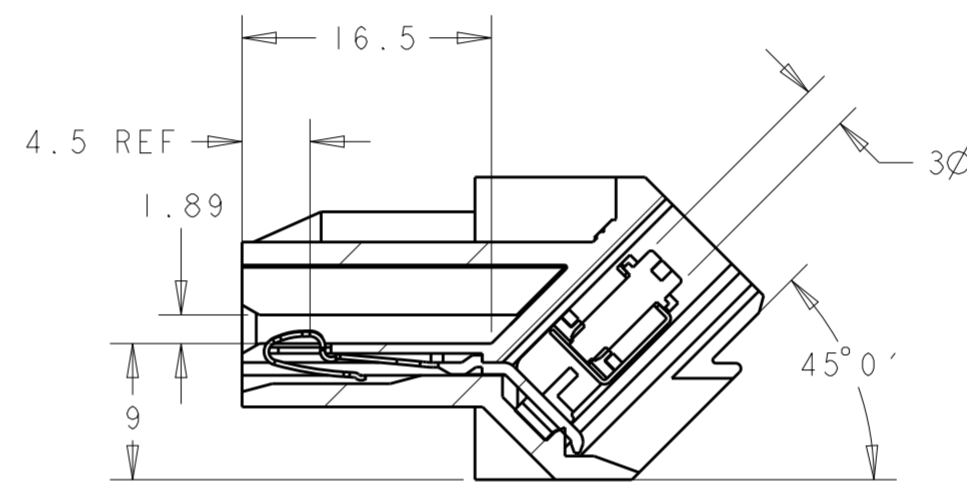
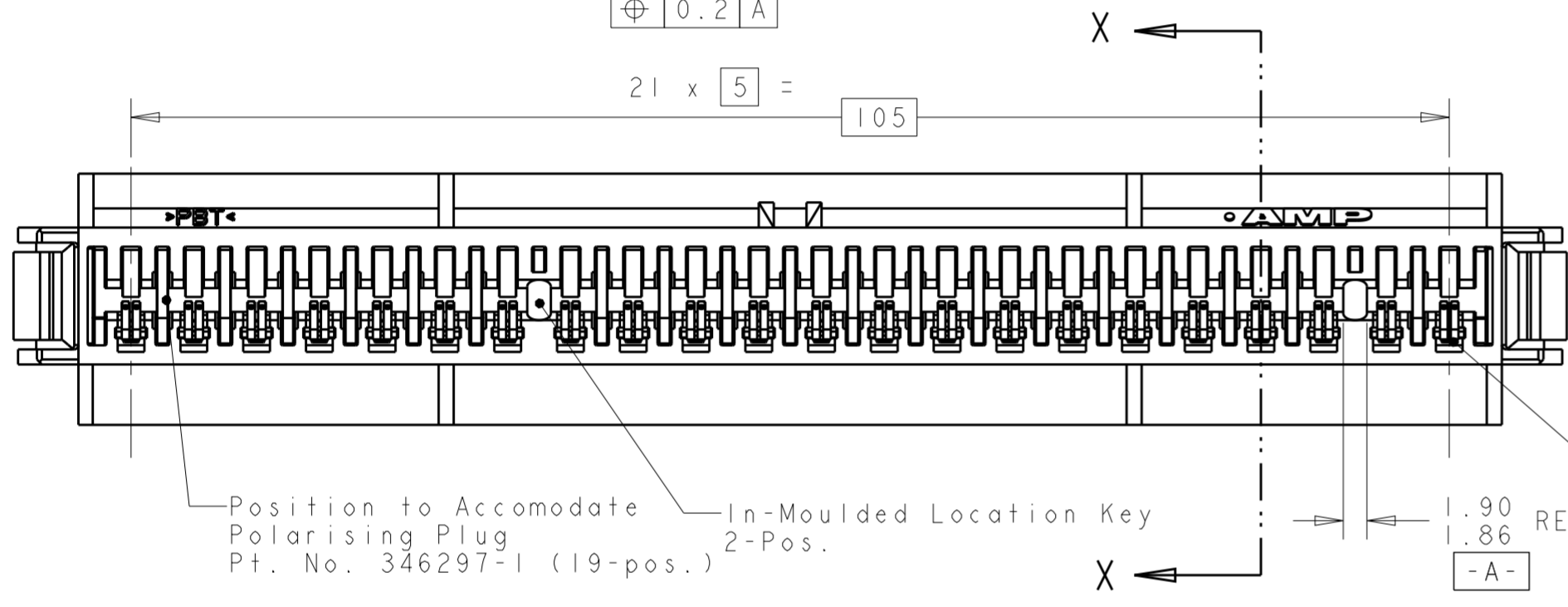
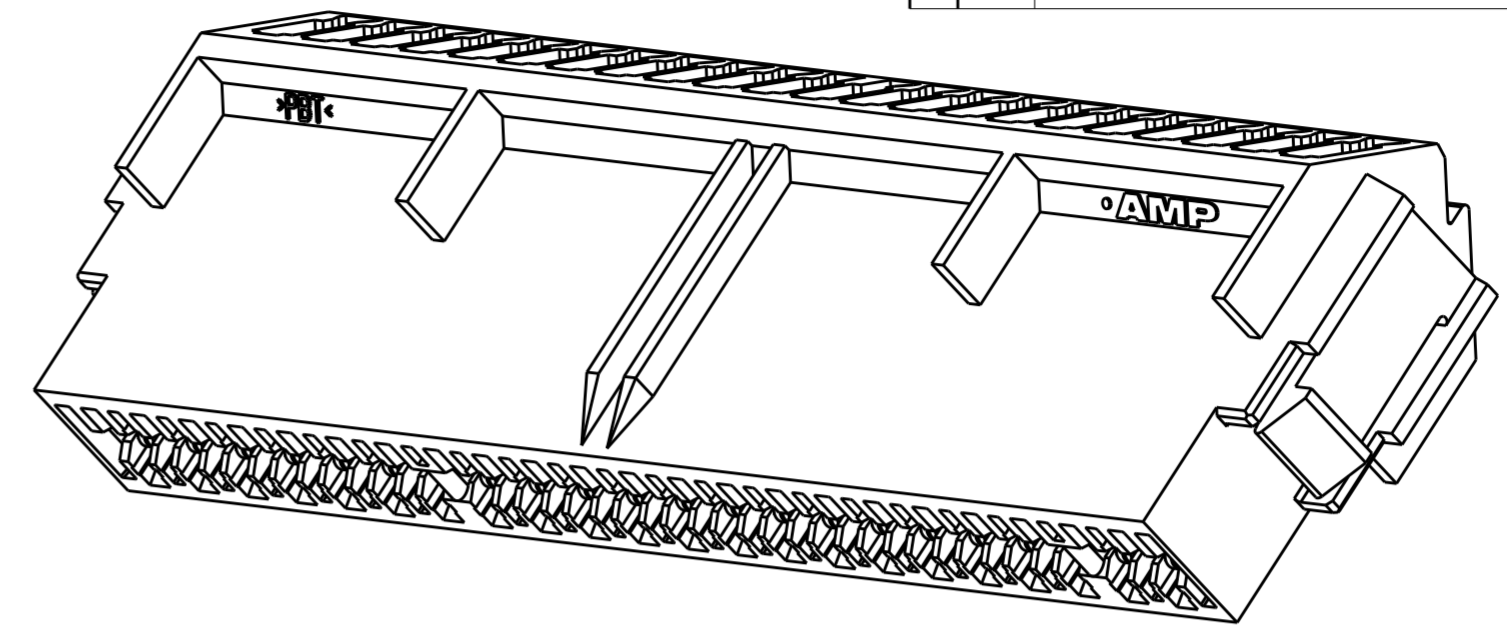
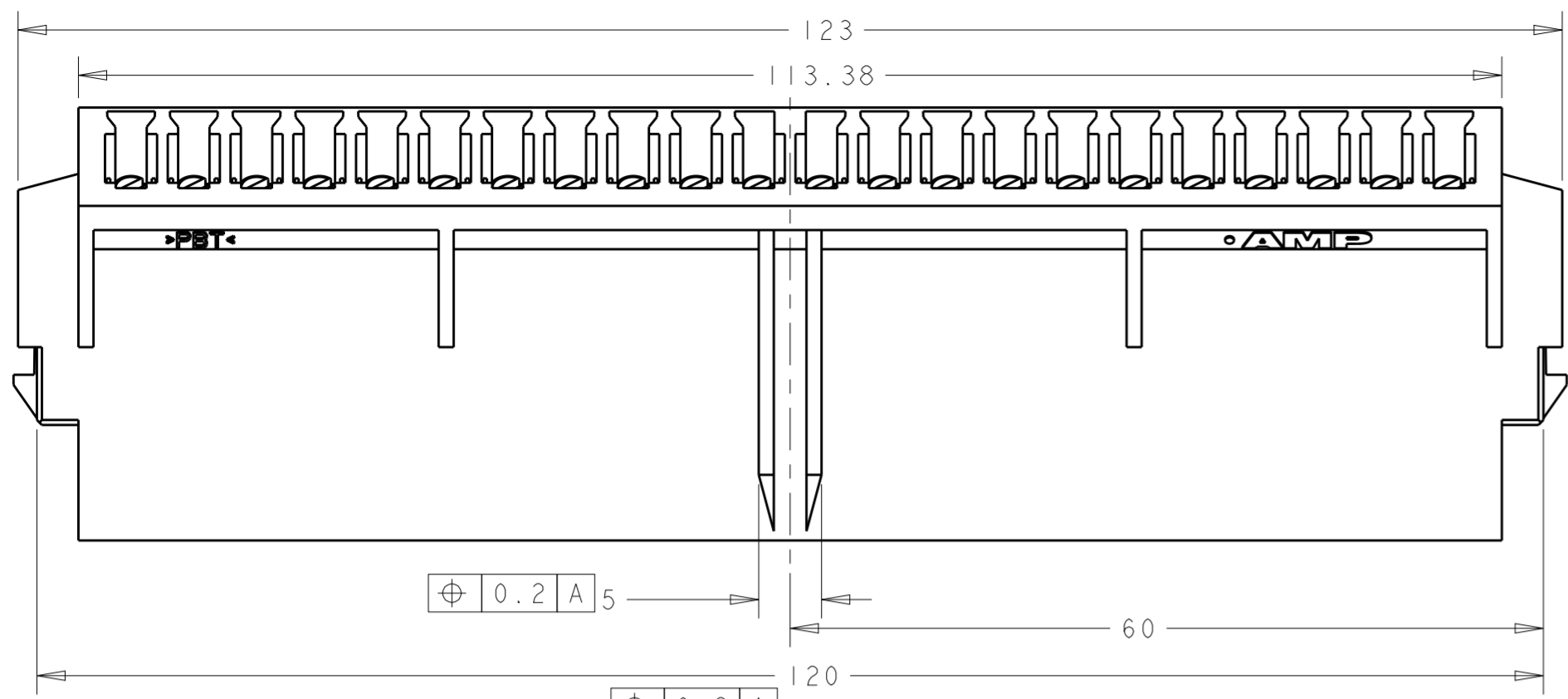


THIS DRAWING IS UNPUBLISHED. RELEASED FOR PUBLICATION 2094
 © COPYRIGHT 20 95 BY - ALL RIGHTS RESERVED.

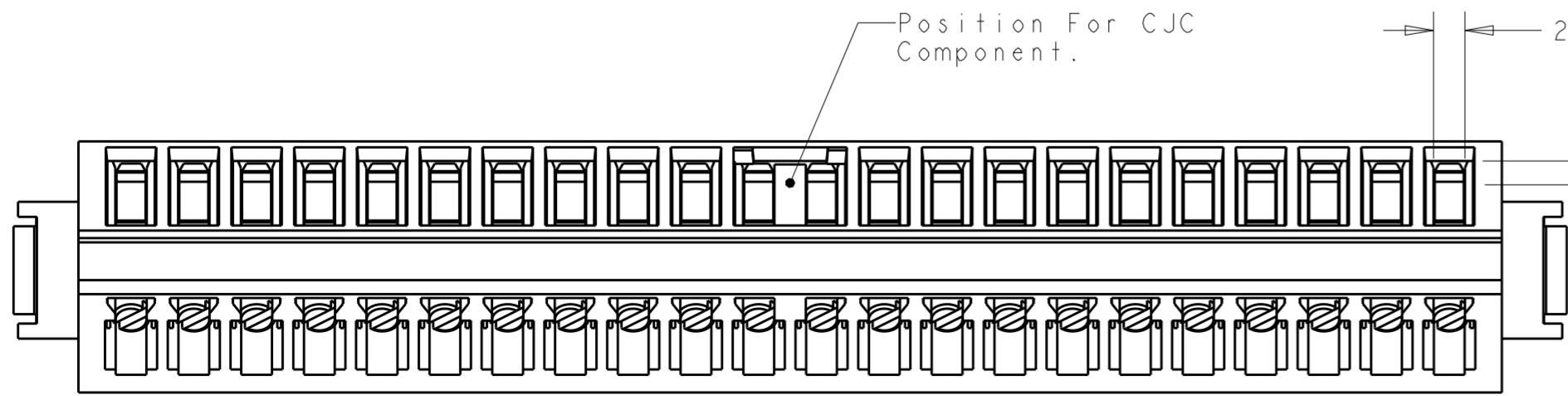
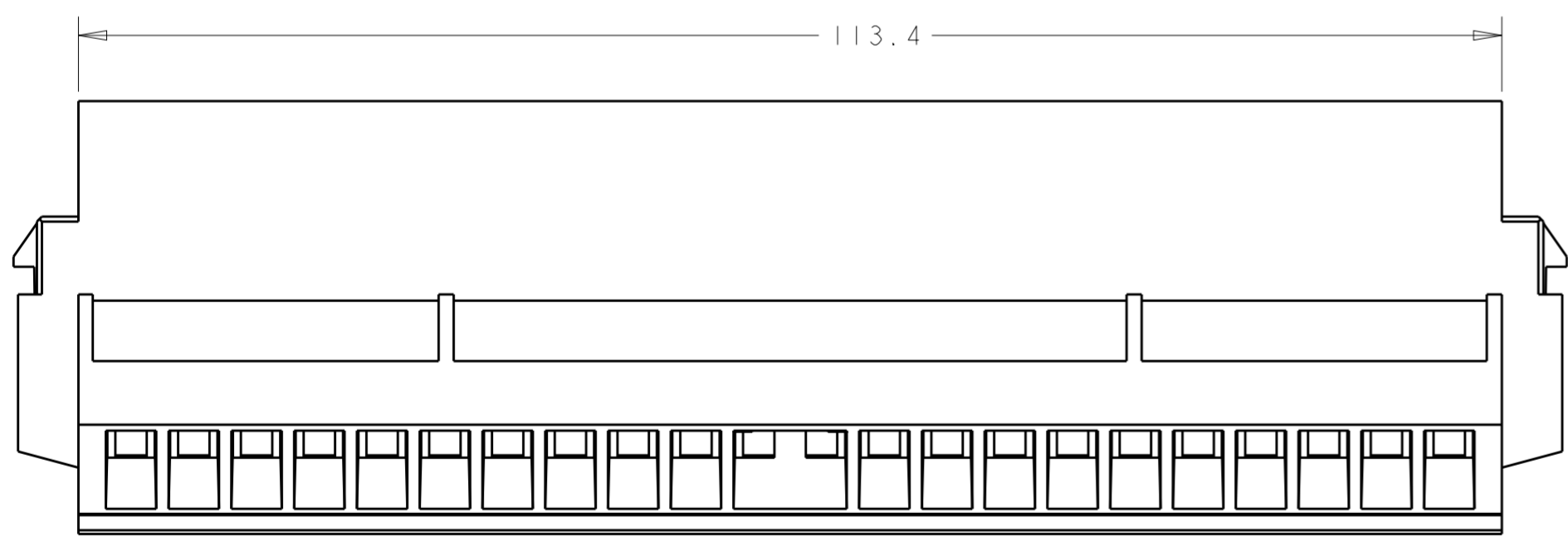
| LOC | | DIST | | REVISIONS | | | |
|-----|-----|---------------------------|-----------|-----------|------|--|--|
| P | LTR | DESCRIPTION | DATE | DWN | APVD | | |
| | C | REVISED PER ECO-11-021831 | 22AUG2013 | KH | MB | | |



22-Contact Positions
 0.15 A
 PIN 1

Position to Accommodate Polarising Plug Pt. No. 346297-1 (19-pos.)
 In-Moulded Location Key 2-Pos.

- T.E Part. No. 1-348859-1 & 2-348859-2
- Application Specification : 114-3149
- Design Objective Specification : 108-3369
- Mates with 1.6mm Thick PCB.
- Materials :
 Housing : Unreinforced Polyester,
 Finish : Black
 Contact : Phos. Bronze
 Contact Plating : 30 micro inch Au over 50 micro Inch Ni. Au flash on tail & test Probe Areas.
 Screwclamp: Carbon Steel.
 Plating: Nickel with Trivalent Passivation
- Additional items for use with this Product, are as follows :
 Screwdriver Guide Part Number 348860-1
 CJC Cover Part Number 348861-1
 Polarising Plug Part Number 346297-1



| | | | |
|--------------------------|------------|---------------------------|------------|
| SEE NOTE 5 | SEE NOTE 5 | 22 POSITION I/O CONNECTOR | 2-348859-1 |
| SUPERCEDED BY 2-348859-1 | SEE NOTE 5 | 22 POSITION I/O CONNECTOR | 1-348859-1 |
| FINISH | MATERIAL | DESCRIPTION | PART NO |

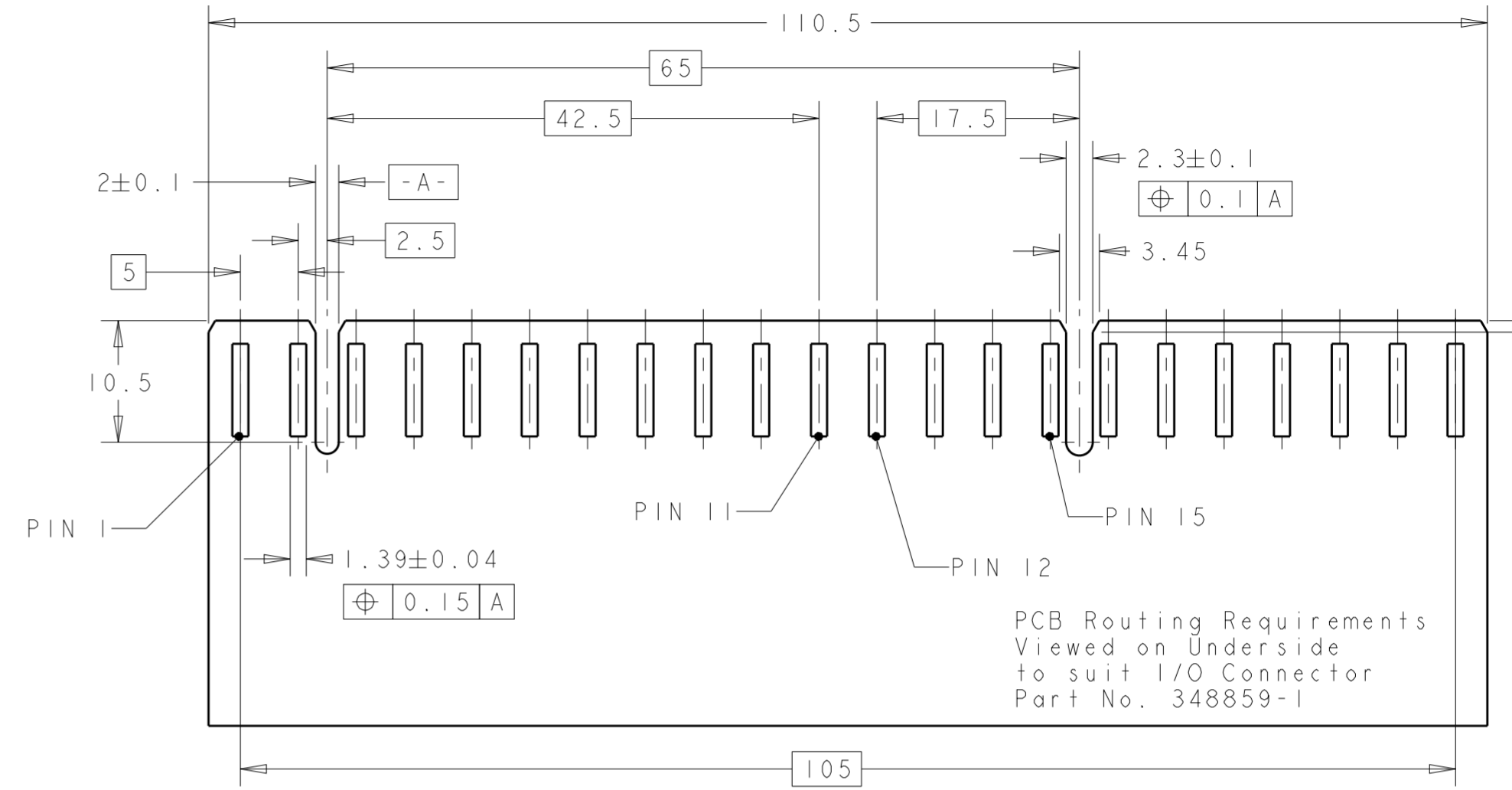
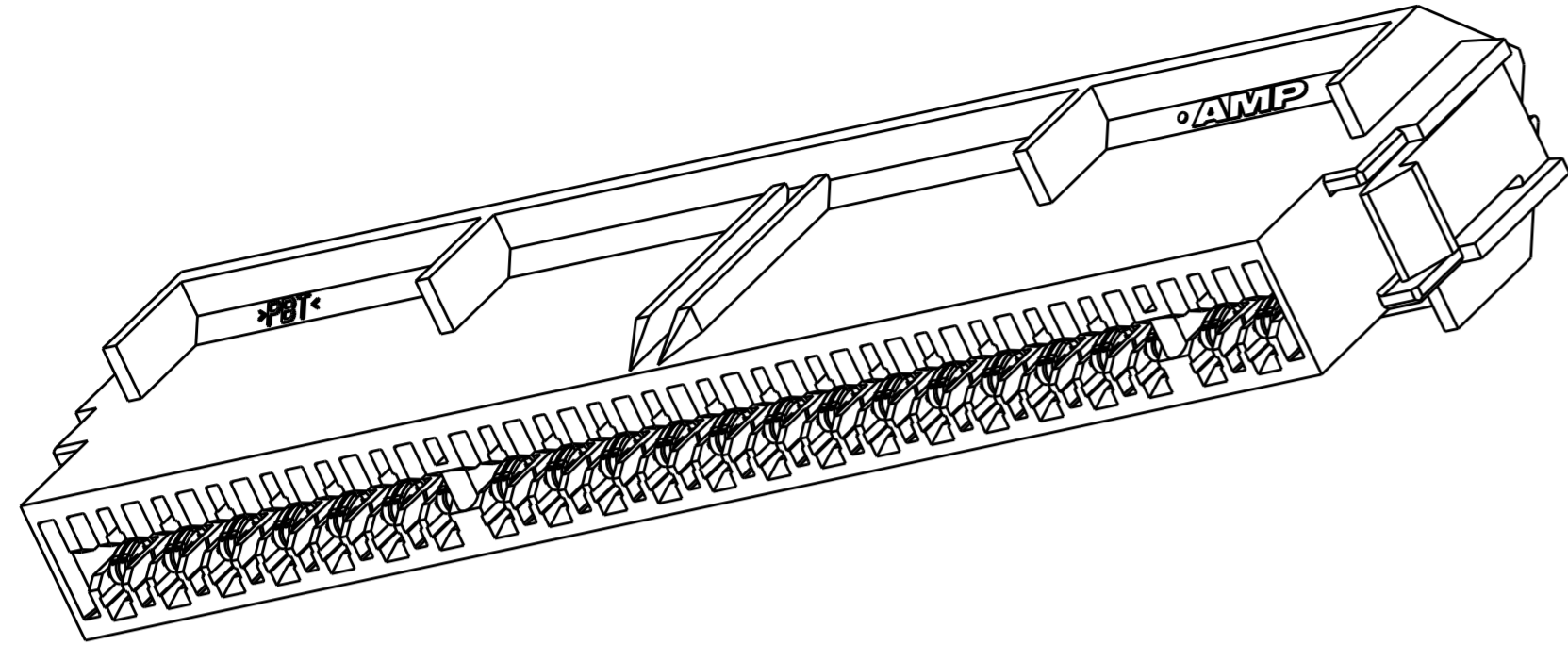
THIS DRAWING IS A CONTROLLED DOCUMENT.

| | | | |
|----------------------|--|---|---|
| DIMENSIONS: mm | TOLERANCES UNLESS OTHERWISE SPECIFIED: | DWN: A. J. Beken 09-02-95 | TE Connectivity NAME: I/O Connector 22-Position |
| THIRD ANGLE | 0 PLC ± 1 PLC ±0.5 2 PLC ± 3 PLC ± 4 PLC ± ANGLES ±1° FINISH | CHK: F. Wheeler-King APVD: F. Wheeler-King PRODUCT SPEC: .SEE NOTE 3 APPLICATION SPEC: .SEE NOTE 2 | |
| MATERIAL: SEE NOTE 5 | SEE NOTE 6 | WEIGHT: - | SIZE: A20779 CAGE CODE: C-348859 DRAWING NO: - RESTRICTED TO: - SCALE: 2:1 SHEET 1 OF 2 REV C |

CUSTOMER DRAWING

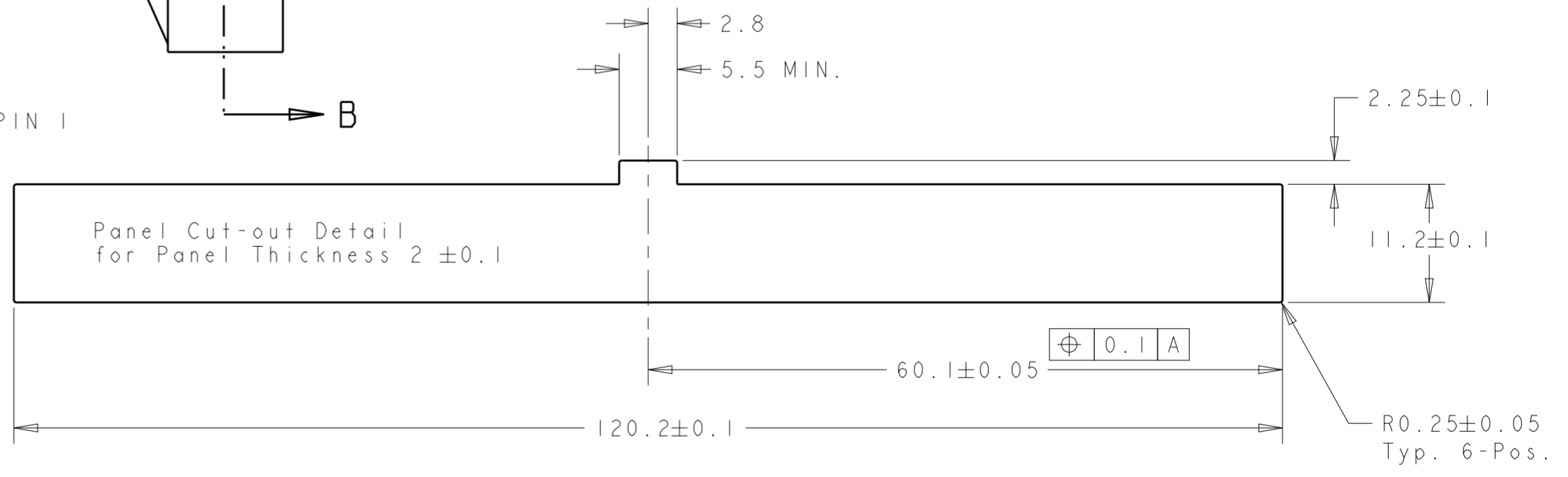
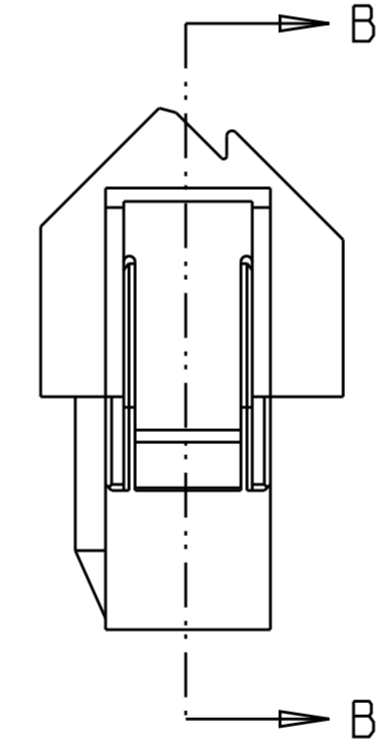
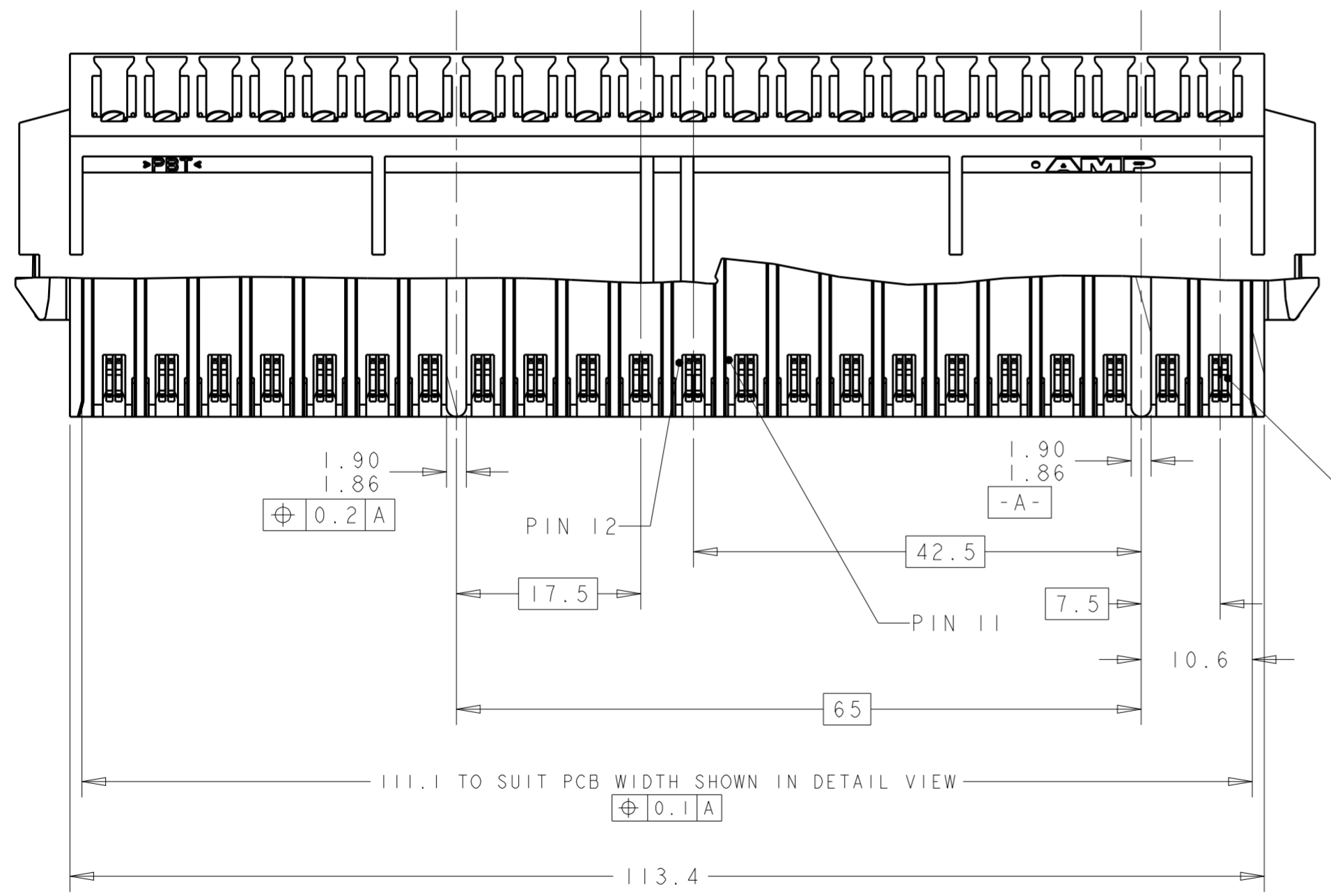
THIS DRAWING IS UNPUBLISHED. RELEASED FOR PUBLICATION 2094
 © COPYRIGHT 20 95 BY - ALL RIGHTS RESERVED.

| LOC | DIST | REVISIONS | | | |
|-----|------|-------------|------|-----|------|
| P | LTR | DESCRIPTION | DATE | DWN | APVD |
| -E | B | SEE SHEET 1 | | | |



SCALE 2:1

PCB Routing Requirements
 Viewed on Underside
 to suit I/O Connector
 Part No. 348859-1



| | | | | |
|--|--|--------------------------------|---------------------------------|-----------------------|
| THIS DRAWING IS A CONTROLLED DOCUMENT. | | DWN A. J. Beken 13-02-95 | TE Connectivity | |
| DIMENSIONS: mm | | CHK F. Wheeler-King | | |
| TOLERANCES UNLESS OTHERWISE SPECIFIED: | | APVD F. Wheeler-King | PRODUCT SPEC SEE SHEET 1 | RESTRICTED TO |
| THIRD ANGLE | | 0 PLC ± | APPLICATION SPEC SEE SHEET 1 | SIZE A20779 |
| MATERIAL | | 1 PLC ±0.5 | WEIGHT | CAGE CODE C-348859 |
| SEE SHEET 1 | | 2 PLC ± | CUSTOMER DRAWING | DRAWING NO. - |
| SEE SHEET 1 | | 3 PLC ± | SCALE 2:1 | SHEET 2 OF 2 |
| | | 4 PLC ± | | REV C |
| | | ANGLES ±1° | | |
| | | FINISH | | |